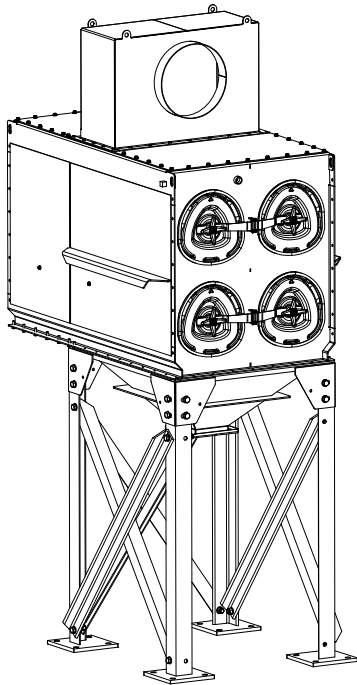


Downflo® Evolution

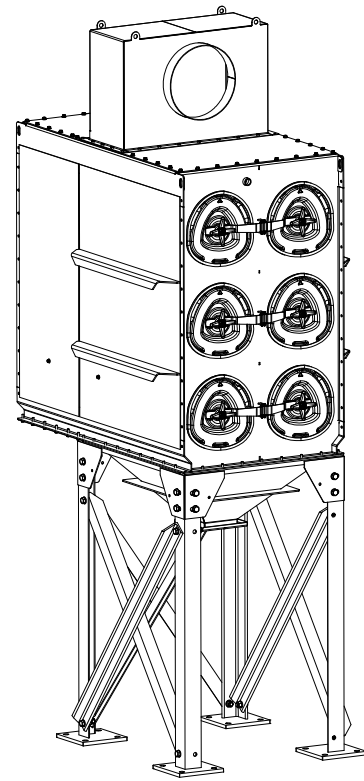
DFE 2-4 and 3-6

Installation and Operation Manual

Installation, Operation, and Service Information



DFE 2-4



DFE 3-6



This manual contains specific precautions related to worker safety. The hazard alert image denotes safety related instructions and warnings in this manual. **DO NOT** operate or perform maintenance on this collector until you have read and understood the instruction and warnings contained within this manual.

IMPORTANT NOTES

This manual has been supplied to assist with the installation, operation and maintenance for the collector purchased. Please read the manual before installing, operating, or performing maintenance on the collector as it contains specific precautions for worker safety. It is the owner's responsibility to ensure that this manual is available for use by installers, operators and maintenance personnel that will be working with this collector. This manual is the property of the owner and should be left with the collector when installation has been completed. **DO NOT** operate this collector until you have read and understood the instructions and warnings located in the installation and operation manual.

For additional copies of this manual, contact Donaldson Torit



The Safety Alert Symbol indicates a hazardous situation which, if not avoided could result in death or serious injury. Obey all safety messages following this symbol to avoid possible injury or death. The possible hazards are explained in the associated text messages.



CAUTION, used with the safety alert symbol, indicates a hazardous situation which, if not avoided, could result in minor or moderate injury.

NOTICE

NOTICE indicates a potential situation or practice which is not expected to result in personal injury, but which if not avoided, may result in damage to equipment.

Contents

IMPORTANT NOTES	i	Maintenance Information	14
Safety Communication	1	Operational Checklist	14
Description	2	Filter Removal and Installation.....	14
Purpose and Intended Use.....	2	Filter Removal	15
Rating and Specification Information.....	3	Dust Disposal	15
Operation	3	Compressed Air Components.....	15
Inspection on Arrival	4	Optional Equipment.....	17
Installation Codes and Procedures	4	Fan Blower	17
Installation.....	4	Damper Installation.....	18
Foundations or Support Framing	5	Exhaust Grid Installation	18
Collector Location	5	Exhaust Silencer.....	19
Site Selection	5	TBI and TRB Style Damper and Silencer Support	
Hoisting Information	5	Bracket.....	20
Typical Installation	6	Hopper Access	21
Standard Equipment.....	7	55-Gallon Drum Pack.....	21
Field Assembly.....	7	5-Gallon Pail Pack.....	21
Hopper Installation.....	7	Magnehelic® Gauge	23
Leg Installation	7	Photohelic® Gauge	24
Provisional Anchor Bolt Recommendations.....	8	Delta P Control.....	26
Compressed Air Installation	9	Delta P Plus Control	27
Electrical Wiring.....	9	Inlet Plenum	28
Solid-State Timer Installation.....	11	High Flo Inlet Plenum.....	28
Solenoid Connection.....	11	Platforms and Ladders	29
Timer and Solenoid Specifications.....	11	Cold Climate Kit.....	30
Preliminary Start-Up Check	13	Explosion Vent	31
		Sprinkler.....	31
		Troubleshooting.....	32
		Appendix A - Clean Change	
		Bag-In/Bag-Out Filter and Liner System.....	A-1
		Product Information.....	B-1
		Service Notes	B-2
		Donaldson Industrial Air Filtration Warranty	B-5

Magnehelic® and Photohelic® are registered trademarks of Dwyer Instruments, Inc.

Safety Communication



Improper operation of dust collectors and/or dust control systems may contribute to conditions in a work area or facility which could result in severe personal injury, and product or property damage. All dust collection equipment should be used only for its intended purpose and should be properly selected and sized for its intended use.

Process owners have important responsibilities relating to identifying and addressing potential hazards in their processes. When the potential for handling combustible dust exists within a process the process owner should include combustion hazards in their risk management activities and should comply with applicable codes and standards related to combustible dust.

Electrical installation must be performed by a qualified electrician.

This equipment is not designed to support site ducts, piping, or electrical services. All ducts, piping, or electrical services must be adequately supported to prevent injury and/or property damage.

Site selection must account for wind, seismic zone, and other load conditions.

Equipment may reach peak sound pressure levels above 80 dB (A). Noise levels should be considered when selecting collector location.

Combustible Dust Hazards

Among other considerations, the current NFPA standards require owners whose processes involve potentially combustible materials to have a current Dust Hazard Analysis, which can serve as the foundation for their process hazard mitigation strategy. Mitigation may include but is not limited to:

- Prevention of all ignition sources from entering any dust collection equipment.
- Selection and implementation of fire and explosion mitigation, suppression, and isolation strategies appropriate for the risks in their process.
- Development and use of work practices to maintain safe operating conditions, and to ensure combustible dust does not accumulate within their plant or process equipment.

Donaldson designs, manufactures, and sells industrial air filtration products for a wide variety of applications. Some applications may include processes or materials with inherent fire and explosion hazards. Donaldson is neither an expert nor a certified consultant in fire, spark, or explosion detection, suppression, or control. Donaldson does not provide engineering consulting services related to process or dust hazard analyses, or code and standard compliance. Complying with applicable codes and standards and managing the risks associated with the process or materials remains the responsibility of the process owner/operator. Donaldson may provide referrals to consultants, suppliers of equipment or services related to the detection and/or mitigation of sparks, fires and/or explosions, but Donaldson does not assume responsibility for any such referrals, nor does Donaldson assume any liability for the fitness of a mitigation strategy or product for a particular installation or application. The process owner's final selection of dust collectors and risk mitigation strategies should be based on the outcome of a Dust Hazard / Process Hazard Analysis performed by the process owner. Although early engagement of a dust collector supplier provides helpful insights on the availability and features of various products, process owners should consult with a combustible dust expert and/or a process safety expert before making actual product and mitigation strategy selections.

Donaldson recommends that all industrial air filtration system designs be reviewed and approved by an expert consultant who is responsible for the integrity of the system design and compliance with applicable codes and standards. It is the process owner's responsibility to understand the risks in their process and mitigate those risks in accordance with all applicable laws, regulations and standards, including those published by the NFPA. Donaldson also recommends that proper maintenance and housekeeping procedures and work practices be evaluated, developed, and followed to maintain any industrial air filtration products in safe operating condition.

Many factors beyond the control of Donaldson can affect the use and performance of Donaldson products in a particular application, including the conditions under which the product is used. Since these factors are uniquely within the user's knowledge and control, it is essential the user evaluate the Donaldson products to determine whether the product is fit for the particular purpose and suitable for the user's application. All products, product specifications, and data (airflow, capacity, dimensions, or availability) are subject to change without notice, and may vary by region or country.

Description

The Downflo® Evolution dust collector is a continuous-duty, modular collector with cartridge-style filters. The downward airflow design delivers high filtration efficiency while using less energy. Continuous duty means the filters can be pulse cleaned on-line without interrupting airflow through the collector. The filters are pulse-cleaned in sequence, one set at a time, without turning the collector off. Each standard collector is two or three filter columns wide by two or three filter rows high by one filter deep.

Designed to increase the versatility of the collector, standard options include abrasion-resistant inlets, extended dirty-air plenums, air management modules, and clean change options.

Purpose and Intended Use



Misuse or modification may result in severe personal injury and/or property damage.

Do not misuse or modify.

Downflo Evolution collectors are intended for filtration of nuisance dust where the dust loading to the collector is less than five grains per cubic foot. Some typical applications include metal grinding, plasma cutting, dry bulk, pharmaceutical, thermal spray, welding, metal manufacturing, glass, and food processing. Each application is different and selecting the correct filter for the application and dust being collected is important. Contact Donaldson Torit for selection assistance.

- Ambient, extremely fine, and non-fibrous dusts, typically are well served by Ultra Web® filters which offer high efficiency and performance on fine particulate.
- Fibrous dusts often benefit from a filter with an open-pleat design, such as Fibra-Web®.
- Operations involving high temperature and high humidity may require special attention. Temperature, moisture content, and chemistry issues may also require custom collector design.
- Hygroscopic dust such as fertilizer, salt, and sugar should be handled under a controlled, low humidity environment.
- Flammable or explosive dust may require customized collector design options.
- Applications with high hydrocarbon or high oil content may require special treatment or filter media.

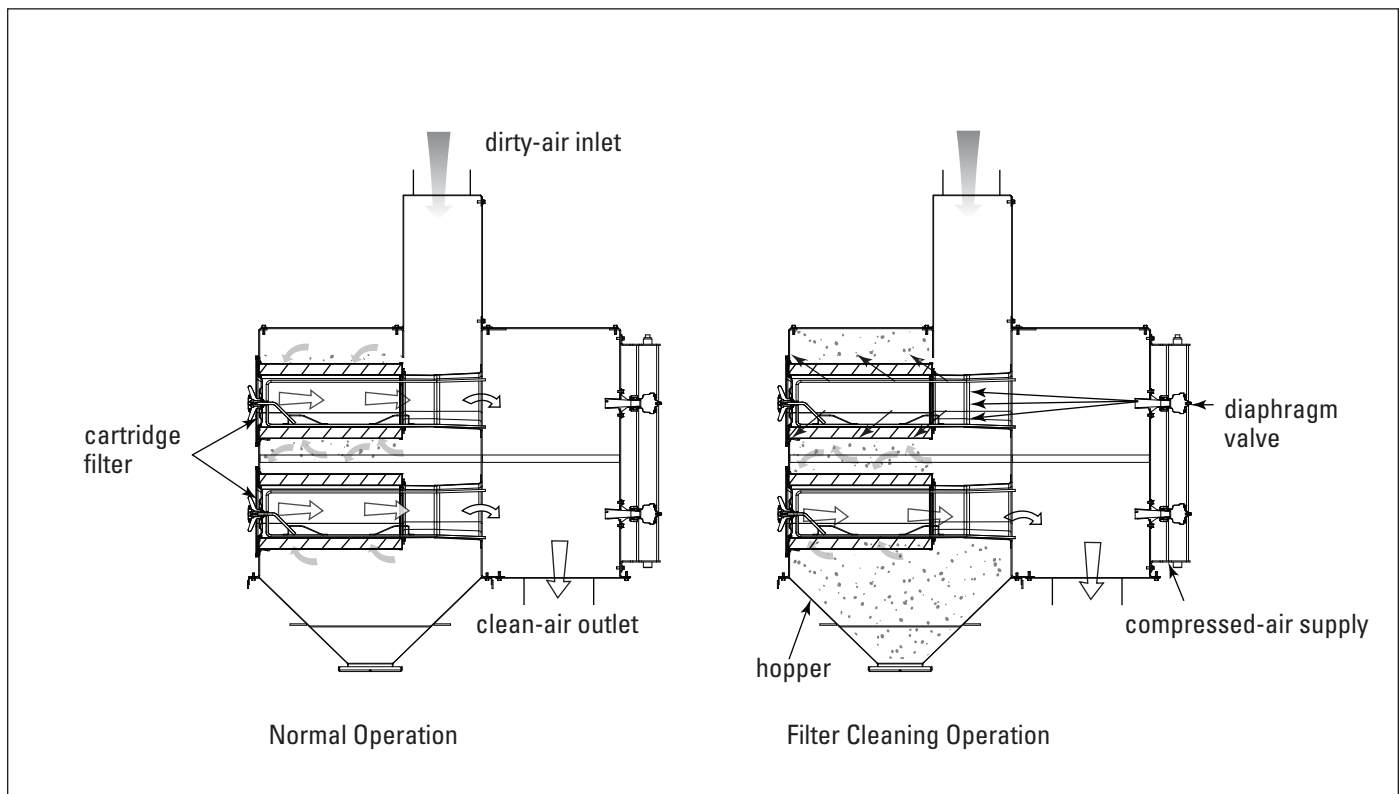
Rating and Specification Information

General rating and specification information can be found in the product literature provided with the collector or available on the Donaldson website. For specific load values for a collector, see the Specification Control Drawing shipped with the collector.

Operation

During normal operation, dust-laden air enters the collector through the dirty-air inlet, which is positioned over the venturi section of the dirty air plenum. Airflow is directed downward through the collector over the venturis and heavier particulate falls directly into the hopper. The filters remove fine particulate allowing filtered air to pass through the filters to the clean-air plenum where it discharges through the clean-air outlet.

Filter cleaning is completed using pulse-jet technology. A solenoid and diaphragm valve aligned to each row of filters provides the pulse cleaning. The cleaning sequence starts at the top filter row and continues down through the module. Removal, inspection, or replacement of filters can be accomplished from outside the collector by removing the filter access cover and sliding the filters out.



Collector Operation

Inspection on Arrival

1. Inspect collector upon delivery.
2. Report any damage to the delivery carrier.
3. Request a written inspection report from the Claims Inspector to substantiate any damage claim.
4. File claims with the delivery carrier.
5. Compare collector received with description of product ordered.
6. Report incomplete shipments to the delivery carrier and your Donaldson Torit representative.
7. Remove crates and shipping straps. Remove loose components and accessory packages before lifting collector from truck.
8. Check for hardware that may have loosened during shipping.
9. Use caution removing temporary covers.

Installation Codes and Procedures



Codes may regulate recirculating filtered air in your facility.

Consult with the appropriate authorities having jurisdiction to ensure compliance with all national and local codes regarding recirculating filtered air.

Safe and efficient operation of the collector depends on proper installation.

Authorities with jurisdiction should be consulted before installing to verify local codes and installation procedures. In the absence of such codes, install collector according to the National Electric Code, NFPA No. 70-latest edition and NFPA 91 (NFPA 654 if combustible dust is present).

A qualified installation and service agent must complete installation and service of this equipment.

All shipping materials, including shipping covers, must be removed from the collector prior to or during collector installation.

NOTICE

Failure to remove shipping materials from the collector will compromise collector performance.

Inspect collector to ensure all hardware is properly installed and tight prior to operating collector.

Installation



Use proper equipment and adopt all safety precautions needed for servicing equipment.

Electrical service or maintenance work must be performed by a qualified electrician and comply with all applicable national and local codes.

Turn power off and lock out all power before performing service or maintenance work.

Do not install in classified hazardous atmospheres without an enclosure rated for the application.

Turn compressed air supply OFF, bleed and lock out lines before performing service or maintenance work.

Site selection must account for wind, seismic zone, and other load conditions when selecting the location for collectors.

Codes may regulate acceptable locations for installing dust collectors. Consult with the appropriate authorities having jurisdiction to ensure compliance with all national and local codes regarding dust collector installation.

Collectors must be anchored in a manner consistent with local code requirements. Anchors must be sufficient to support dead, live, seismic, and other anticipated loads.

Consult a qualified engineer for final selection of anchorage.

NOTICE

Do not set compressed-air pressure above 60-psig as component damage can occur.

All compressed air components must be sized to meet the system requirements of 60-psig supply pressure.

The compressed-air supply must be oil and moisture free. Contamination in the compressed air used to clean filters will result in poor cleaning, cleaning valve failure, or poor collector performance.

Purge compressed air lines to remove debris before connecting to the collector's compressed air manifold.

The collector is suitable for either indoor or outdoor installations. Reference the Rating and Specification Information.

Foundations or Support Framing

Prepare the foundation or support framing in the selected location. Foundation or support framing must comply with local code requirements and may require engineering.

Foundation and support framing must be capable of supporting dead, live, wind, seismic and other applicable loads. Consult a qualified engineer for final selection of foundation or support framing.

Collector Location



Donaldson Torit equipment is not designed to support site installed

ducts, interconnecting piping, or electrical services. All ducts, piping, or electrical services must be adequately supported to prevent severe personal injury and/or property damage.

When hazardous conditions or materials are present, consult with local authorities for the proper location of the collector.

Dust collection equipment may reach peak sound pressure levels above 80 dB (A). Noise levels should be considered when selecting collector location.

Locate the collector to ensure easy access to electrical and compressed air connections, to simplify solids collection container handling and routine maintenance, and to ensure the straightest inlet and outlet ducts.

Provide clearance from heat sources and avoid any interference with utilities when selecting the location.

Site Selection

This collector can be located on a foundation or structural framing.

Hoisting Information



Failure to lift the collector correctly can result in severe personal injury and/or property damage.

Use appropriate lifting equipment and adopt all safety precautions needed for moving and handling the equipment.

A crane or forklift and qualified operator are recommended for unloading, assembly, and installation of the collector.

Location must be clear of all obstructions, such as utility lines or roof overhang.

Use all lifting points provided.

Use clevis connectors, not hooks, on lifting slings.

Use spreader bars to prevent damage to collector's casing.

Check the Specification Control drawing for weight and dimensions of the collector and components to ensure adequate crane capacity.

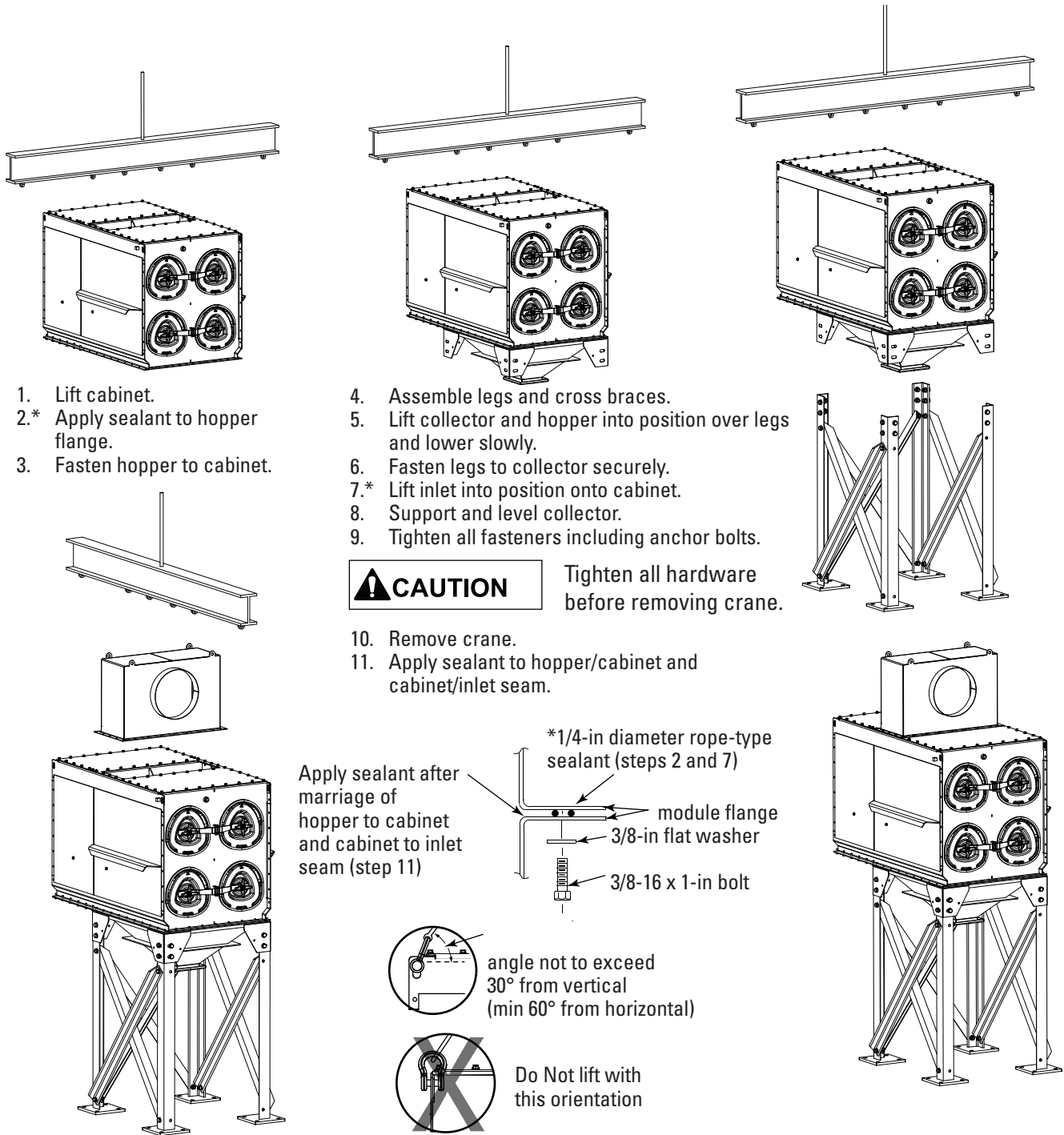
Allow only qualified crane or forklift operators to lift the equipment.

Refer to applicable OSHA regulations and local codes when using cranes, forklifts, and other lifting equipment.

Lift collector and accessories separately and assemble after collector is in place.

Use drift pins to align holes in section flanges during assembly.

Typical Installation



1. Lift cabinet.
- 2.* Apply sealant to hopper flange.
3. Fasten hopper to cabinet.

4. Assemble legs and cross braces.
5. Lift collector and hopper into position over legs and lower slowly.
6. Fasten legs to collector securely.
- 7.* Lift inlet into position onto cabinet.
8. Support and level collector.
9. Tighten all fasteners including anchor bolts.

CAUTION Tighten all hardware before removing crane.

10. Remove crane.
11. Apply sealant to hopper/cabinet and cabinet/inlet seam.

Apply sealant after marriage of hopper to cabinet and cabinet to inlet seam (step 11)

*1/4-in diameter rope-type sealant (steps 2 and 7)

module flange

3/8-in flat washer

3/8-16 x 1-in bolt

angle not to exceed 30° from vertical (min 60° from horizontal)

Do Not lift with this orientation

*The 1/4-in diameter rope-type sealant supplied with the collector is temperature sensitive. It may soften and become difficult to work with at elevated temperatures. Store rope-type sealant in a cool location before use.

Typical Installation

Standard Equipment

Standard Downflo Evolution collectors consist of collector module, inlet box, hopper, and legs. The legs and hopper are assembled first and the collector is placed in position using a crane or forklift.

Field Assembly



Use proper equipment and adopt all safety precautions needed for servicing equipment.

Electrical service or maintenance work must be performed by a qualified electrician and comply with all applicable national and local codes.

Turn power off and lock out all power before performing service or maintenance work.

Do not install in classified hazardous atmospheres without an enclosure rated for the application.

Turn compressed air supply OFF, bleed and lock out lines before performing service or maintenance work.

Field assembly of collector may be required due to truck capacity, crane capacity, or specific customer requirements. A detailed instruction drawing, shipped with each collector will provide specific assembly and lifting instructions.

Hopper Installation

There are two hopper styles offered for the Downflo Evolution. A single module hopper spanning a single collector module with two filter columns. A taller, steeper, single module hopper spanning one collector module with two filter columns. The hopper styles provide a 10-inch square discharge opening.

Assemble the standard or the optional steep-sided hopper following these instructions.

1. Stand the hopper on the discharge end.
2. Apply 1/4-in diameter rope-type sealant around the top flange toward the inside edge of the bolt pattern.
3. Lift the collector and position over the hopper and lower slowly.

4. Use drift pins to align holes.
5. Secure collector to hopper using hardware supplied. Tighten all hardware securely. See Hopper Installation.

Leg Installation



CAUTION Anchors must comply with local code requirements and must be capable of supporting dead, live, wind, seismic, and other applicable loads.

Anchor sizes shown are provisional, as final anchor sizing will depend on jobsite load conditions, collector location, foundation/framing design variables and local codes.

Consult a qualified engineer for final selection of suitable anchors.

Leg sets for standard collector sizes are shown in the Rating and Specification Information. Reference Typical Foundation Anchor and leg assembly drawing shipped with the collector prior to starting assembly.

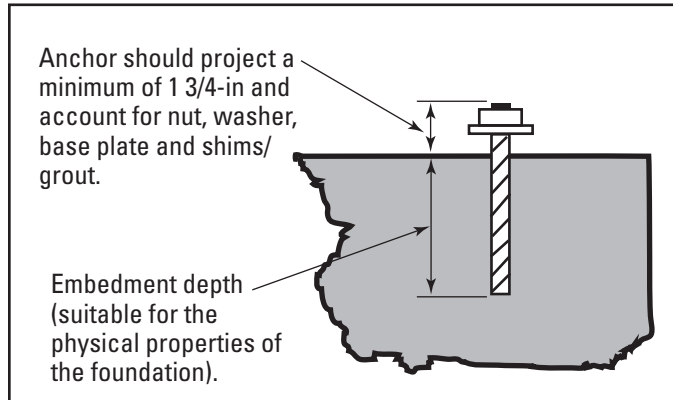
1. Prepare the foundation or support framing in the selected location. Locate and install anchors.
2. Position and assemble legs and cross braces as shown in Leg and Cross Brace Assembly.
3. Lift the cabinet and hopper assembly into position over the legs and lower slowly.
4. Use drift pins to align the holes in the collector with the holes in the legs. Attach each leg as shown using the hardware supplied. Do not tighten hardware at this time.
5. Recheck the position of the leg sets and cross braces.
6. Using a crane, lift the assembled collector onto the anchor bolts. Fasten each leg pad to the anchor bolts using flat washers, and hex nuts provided by others. Do not tighten hardware at this time.
7. Level collector. Tighten all hardware securing legs, cross braces, hopper gussets and foundation anchors.



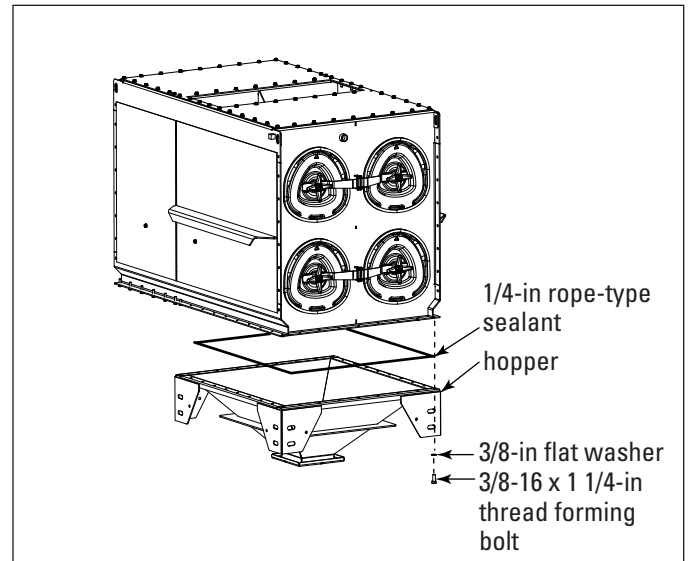
CAUTION Tighten all hardware before removing crane to prevent personal injury and/or property damage.

Provisional Anchor Bolt Recommendations

1. Consider Hilti HIT-HY 200 Anchor System or equivalent. Quantity of anchor bolts should match the number of holes provided in the base plates.
2. Anchor diameter is typically 1/8-in less than baseplate hole diameter.
3. Corrosive environment or outdoor installation may require stainless steel anchors.

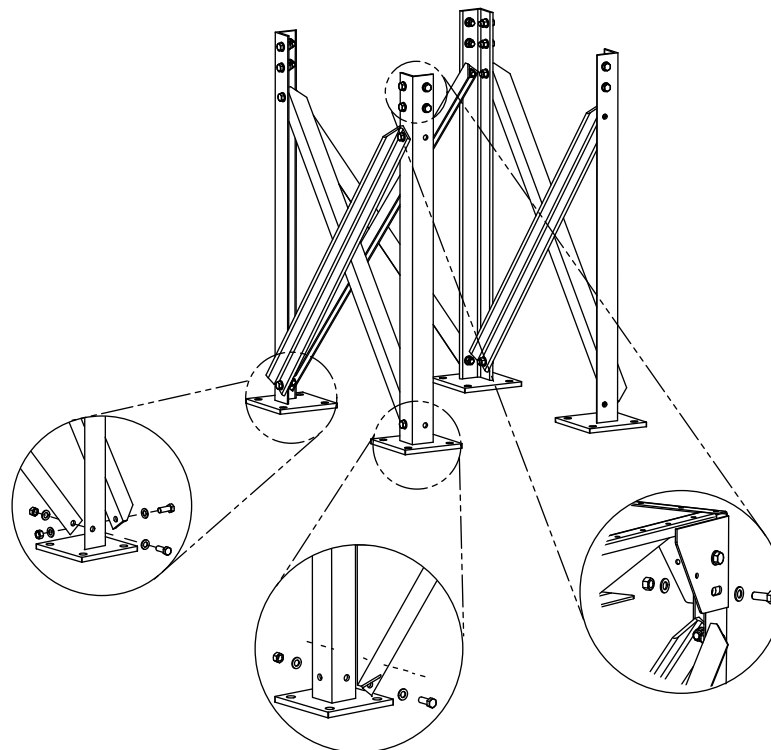


Typical Foundation Anchor



Hopper Installation

All Leg Bolt Details:
 hex bolt
 flat washer
 hex nut



Leg and Cross Brace Assembly

Compressed Air Installation

CAUTION

Turn compressed air supply OFF, bleed and lock out lines before performing service or maintenance work.

A safety exhaust valve should be used to isolate the compressed air supply. The safety exhaust valve should completely exhaust pressure in the collector manifolds when closed, should be capable of being interlocked with fire or explosion mitigation equipment and should include provisions to allow closed-position locking.

NOTICE

Do not set compressed-air pressure above 60-psig as component damage can occur.

All compressed air components must be sized to meet the system requirements of 60-psig supply pressure.

The compressed-air supply must be oil and moisture free. Contamination in the compressed air used to clean filters will result in poor cleaning, cleaning valve failure, or poor collector performance.

Purge compressed-air lines to remove debris before connecting to the collector's compressed-air manifold.

1. Remove the plastic pipe plug from the collector's air manifold and connect the compressed-air supply lines. Use thread-sealing tape or pipe sealant on all compressed-air connections.
2. Install a customer-supplied shut-off valve, bleed-type regulator with gauge, filter, and automatic condensate valve in the compressed-air supply line.
3. Set compressed-air supply pressure to a level suitable for the filters (60-psig). The pulse-cleaning controls are factory set to clean one or more filters every 10-seconds during a cleaning cycle.

Electrical Wiring

CAUTION

Electrical installation, service, or maintenance work must

be performed by a qualified electrician and comply with all applicable national and local codes.

Turn power off and lock out all power before performing service or maintenance work.

Do not install in classified hazardous atmospheres without an enclosure rated for the application.

All electrical wiring and connections, including electrical grounding, should be made in accordance with the National Electric Code (NFPA No. 70-latest edition).

Check local ordinances for additional requirements that apply.

The appropriate wiring schematic and electrical rating must be used. See collector's rating plate for required voltage.

An electric disconnect switch having adequate amp capacity shall be installed in accordance with Part IX, Article 430 of the National Electrical Code (NFPA No. 70-latest edition). Check collector's rating plate for voltage and amperage ratings.

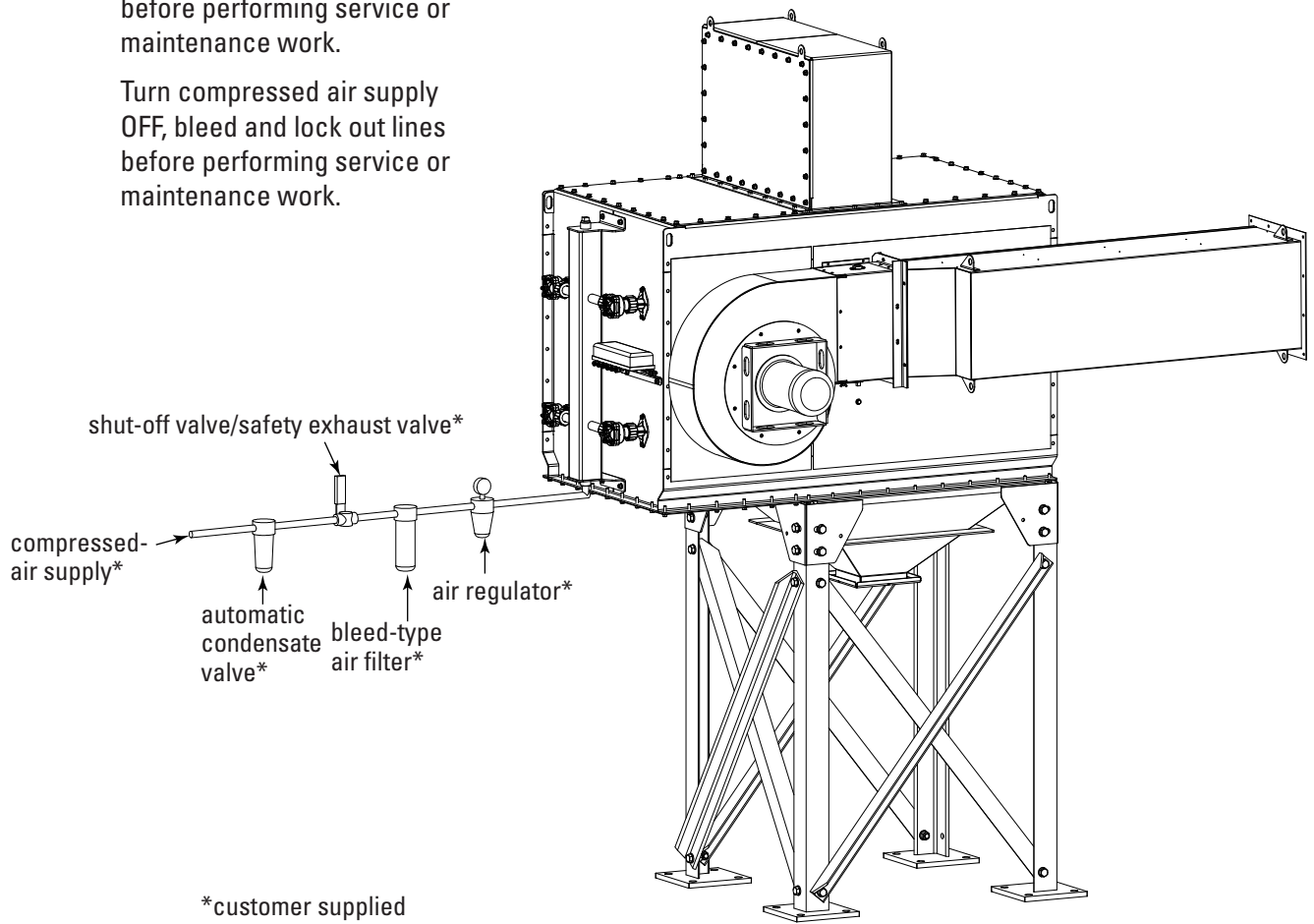
Refer to the wiring diagram for the number of wires required for main power wiring and remote wiring.

CAUTION

Turn power off and lock out all power

before performing service or maintenance work.

Turn compressed air supply OFF, bleed and lock out lines before performing service or maintenance work.



*customer supplied

Compressed Air and Component Installation

Solid-State Timer Installation

CAUTION

Electrical installation, service or maintenance work during installation must be performed by a qualified electrician and comply with all applicable national and local codes.

Turn power off and lock out all power before performing installation, service, or maintenance work.

Do not install in classified hazardous atmospheres without an enclosure rated for the application.

The solid-state timer is used to control the filter cleaning system. Available options include 3, 6, 10, 20, or 32-pin solenoid valve controls.

1. Using the wiring diagram supplied, wire the fan motor, fan-motor starter, solid-state timer, and solenoid valves. Use appropriate wire gauge for rated amp load as specified by local codes.
2. Plug the program lug into the pin that corresponds with the number of solenoid valves controlled for 3-10 PIN. For 20 and 32 PIN solenoid controls, set the switch positions on the DIP switch labeled LAST CHANNEL to the corresponding number of pulse valves using the chart printed on the timer board.
3. With power supply ON, check the operation of the timer and valves. The valves should open and close sequentially at factory set 10-second intervals.
4. If a gauge or similar device is used to control the solid-state timer, the jumper on the pressure switch portion of the timer should be removed. The solenoid valves pulse only when the differential pressure reaches the high-pressure setpoint. The valves will continue to pulse until the low-pressure setpoint is reached.

NOTICE

The solid-state timer voltage must match the voltage of the rating of the timer provided (typically 120 VAC, 240 VAC also available).

Do not mount the solid-state timer directly to the collector as mechanical vibration can damage the timer.

Solenoid Connection

The collector is equipped with electric solenoid valves (typically 120V) that controls the pulse-cleaning valves, which in turn clean the filters.

Solenoid enclosures are mounted near or on the collector's compressed-air manifold.

Wire the solenoids to the solid-state timer following the wiring diagram supplied with the collector. Filter life and cleaning operation will be affected if not wired correctly.

Timer and Solenoid Specifications

Power to the solid-state timer is supplied to Terminals L1 and L2, which are intended to operate in parallel with the fan starter's low-voltage coil. On fan start-up, power is supplied to the timer and the preset OFF time is initiated. At the end of the OFF time, the timer energizes the corresponding solenoid valve to provide the ON time cleaning pulse for one diaphragm valve and then steps to the next until all filters have been cleaned.

To pulse when the fan is OFF, install a toggle switch as shown on the Solid-State Timer Wiring Diagram. When the toggle switch is ON, the timer receives power and energizes the solenoid valves' pulse-cleaning operation even though the fan is turned OFF.

Input
105-135V/50-60Hz/1Ph

Output Solenoids
The load is carried and turned ON and OFF by the 200 watt maximum-load-per-output solid-state switch.

Pulse ON Time
Factory set at 100-milliseconds, or 1/10-second.

NOTICE Do not adjust pulse ON time unless the proper test equipment is available. Too much or too little ON time can cause shortened filter life.

Pulse OFF Time
Factory set at 10-seconds, adjustable from 1.5-sec minimum to maximum 30-seconds.

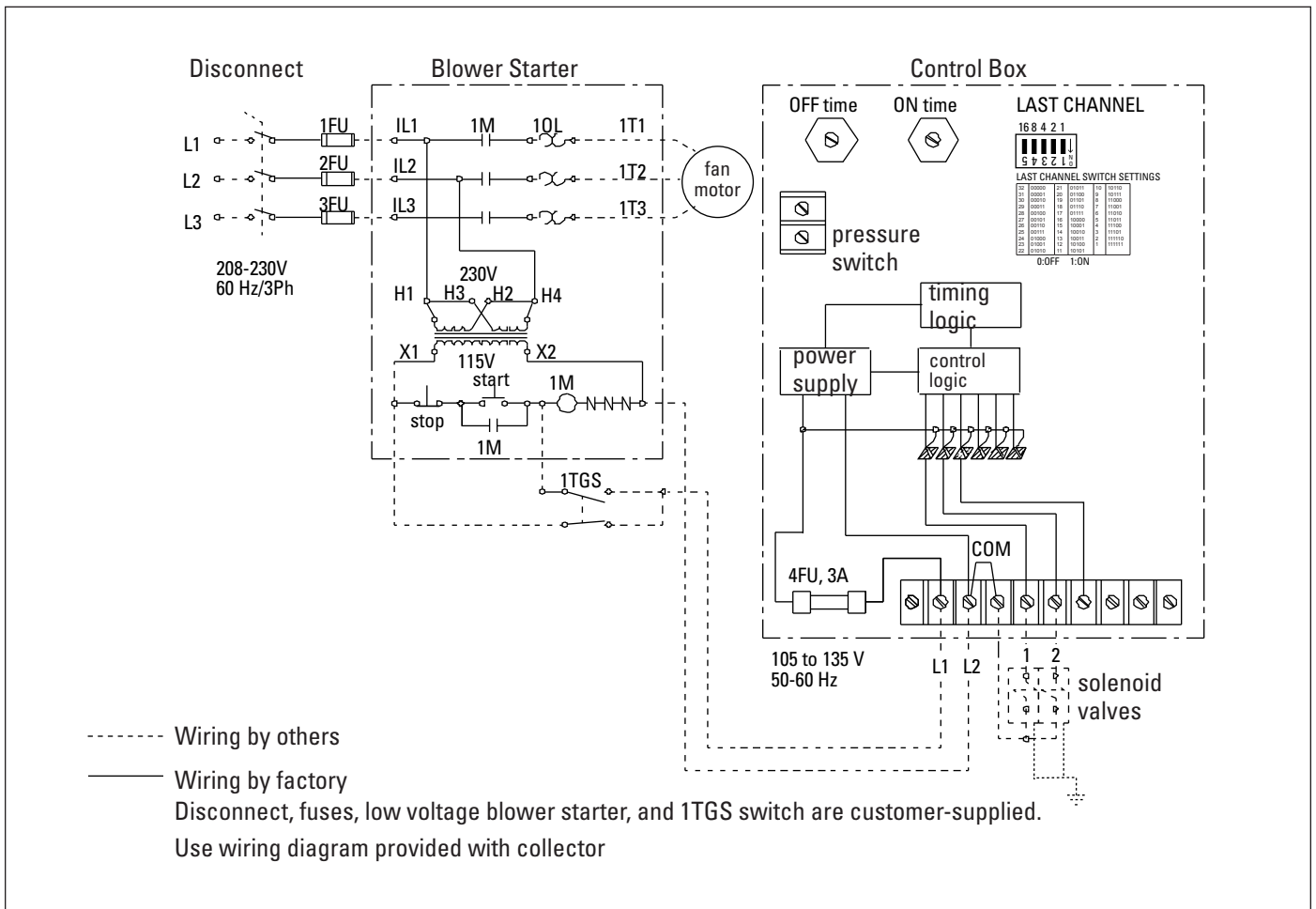
Operating Temperature Range
-20° F to 130° F

Transient Voltage Protection
50 kW transient volts for 20-millisecond duration once every 20 seconds, 1% duty cycle.

Solenoid Valves
115-Volt at 19.7 watts each

Compressed-Air
Set compressed-air supply pressure to a level suitable for the filters (60-psig). The pulse-cleaning controls are factory set to clean one or more filters every 10-seconds during a cleaning cycle.

NOTICE Do not increase supply pressure above 60-psig as component damage can occur.



Solid-State Timer Typical Wiring Diagram

Preliminary Start-Up Check

Instruct all personnel on safe use and maintenance procedures.

CAUTION

Electrical work during installation, service or maintenance must

be performed by a qualified electrician and comply with all applicable national and local codes.

Turn power off and lock out all power before performing service or maintenance work.

Turn compressed air supply OFF, bleed and lock out lines before performing service or maintenance work.

Check that the collector is clear and free of all debris before starting.

Do not install in classified hazardous atmospheres without an enclosure rated for the application.

Optional fans over 600 lbs must be independently supported.

1. Check all electrical connections for tightness and contact.
2. Check for proper rotation on all motors as described below.

To reverse rotation, single-phase power supply:
Follow manufacturer's instructions on the motor's nameplate.

To reverse rotation, three-phase power supply:
Switch any two leads on the motor junction box.

CAUTION

Do not look into fan outlet to determine rotation. View the fan rotation through the back of the motor.

Check that the exhaust plenum is free of tools or debris before checking blower/fan rotation.

Stand clear of exhaust to avoid personal injury.

Do not interchange a power lead with the ground wire. Severe personal injury and/or property damage may result.

3. All access panels should be sealed and secure.
4. Check that the dust container is properly sealed and clamped.

5. Check that fan exhaust damper is set to the fully-closed position (one row of open slots).
6. Check and remove all loose items in or near the inlet and outlet of the collector.
7. Check that all remote controls and solenoid enclosures (if applicable) are properly wired and all service switches are in the OFF position.
8. Check that all optional accessories are installed properly and secured.
9. Turn power ON at source.
10. Turn the compressed-air supply ON. Adjust pressure regulator for 60-psig.
11. Turn fan motor ON.
12. Adjust airflow with the exhaust damper.

NOTICE

Excess airflow can shorten filter life, cause electrical system failure and fan motor failure.

13. Turn powered hopper discharge devices ON.

Maintenance Information

Instruct all personnel on safe use and maintenance procedures.

CAUTION

Use proper equipment and adopt all safety precautions needed for servicing equipment.

Use appropriate access equipment and procedures. Note the standard collector is not equipped with access platforms unless noted on the specification drawings.

Electrical service or maintenance work must be performed by a qualified electrician and comply with all applicable national and local codes.

Turn power off and lock out all power before performing service or maintenance work.

Do not install in classified hazardous atmospheres without an enclosure rated for the application.

Turn compressed air supply OFF, bleed and lock out lines before performing service or maintenance work.

NOTICE

Do not set compressed-air pressure above 60-psig as component damage can occur.

All compressed air components must be sized to meet the system requirements of 60-psig supply pressure.

The compressed-air supply must be oil and moisture free. Contamination in the compressed air used to clean filters will result in poor cleaning, cleaning valve failure, or poor collector performance.

Purge compressed air lines to remove debris before connecting to the collector's compressed air manifold.

Operational Checklist

1. Monitor the physical condition of the collector and repair or replace any damaged components.

Routine inspections will minimize downtime and maintain optimum system performance. This is particularly important on continuous-duty applications.

2. Periodically check the compressed air components and replace compressed air filters.

Drain moisture following the manufacturer's instructions. With the compressed air supply ON, check the cleaning valves, solenoid valves, and tubing for leaks. Replace as necessary.

3. Monitor pressure drop across filters.

Abnormal changes in pressure drop may indicate a change in operating conditions and possibly a fault to be corrected. For example, prolonged lack of compressed air will cause an excess build-up of dust on the filters resulting in increased pressure drop. Cleaning off-line with no airflow usually restores the filters to normal pressure drop.

4. Monitor exhaust.
5. Monitor dust disposal.

Filter Removal and Installation

CAUTION

Use proper safety and protective equipment when removing contaminants and filters.

Dirty filters may be heavier than they appear.

Use care when removing filters to avoid personal injury and/or property damage.

Turn power off and lock out all power before performing service or maintenance work.

Turn compressed air supply OFF, bleed and lock out lines before performing service or maintenance work.

Use care with any power assisted tools to avoid personal injury and/or property damage from rotating parts.

Do not operate with missing or damaged filters.

NOTICE

Reference Appendix A for Clean Change Bag-In/Bag-Out Filter and Liner System information.

Filter Removal

1. Turn off power to the collector.
2. Begin filter replacement at one of the top filter access ports. Continue by replacing the remaining filters in the top row. Proceed to replace filters in the next rows.

Replacing filters row by row starting at the top will help limit dusting during replacement.

3. Remove access cover by turning knob counterclockwise.

CAUTION

Do not use the access cover features as climbing equipment.

Use safe practices for maintenance and installation.

Do not drop filters

4. Break the seal between the filter cartridge and the sealing surface.
5. Slide each filter out the access port along the suspension yoke and dispose of properly.
6. Inspect and clean the sealing surface if necessary.

NOTICE

Clean dust from gasket sealing area to ensure a positive filter

gasket seal.

7. Clean any dust from the yoke threads that may have accumulated during the filter removal.
8. Check for any accumulation of dust in the storage area and remove as necessary.

Filter Installation

1. Slide the gasket end of each new filter onto the end of the suspension yoke.

NOTICE

The filter shape and yoke work together to ensure proper filter

alignment during filter installation. To assist with alignment, an alignment mark (\triangle) at the top of the filter endcap (non-gasketed end) must match with the alignment mark (∇) at the top of the filter access opening.

2. Inspect cover gaskets. Clean and/or replace as necessary.
3. After new filters have been installed, place the access cover on the yoke and hold it in position

while tightening the knob securely by hand (3 turns) before using tool assist option.

NOTICE

The access cover must be properly aligned to ensure a dust tight seal to the housing.

Do not exceed 150 in-lbs (12.5 ft-lbs) torque when securing the access cover as over tightening may cause damage to the filter and/or equipment.

When filter installation is complete, check to ensure that each access cover is seated and sealed against the filter housing to ensure a dust tight housing seal.

Dust Disposal

NOTICE

To avoid possible damage to the fan motor, maintain a seal below the collector if servicing the dust storage device while the fan is running.

1. Empty dust container(s) (drum or bin) as necessary to minimize dust in the hopper.
2. If the optional 55-gallon drum attachment is used, empty when dust container is 2/3 full.
3. If optional slide gate is used, close gate before servicing dust container.

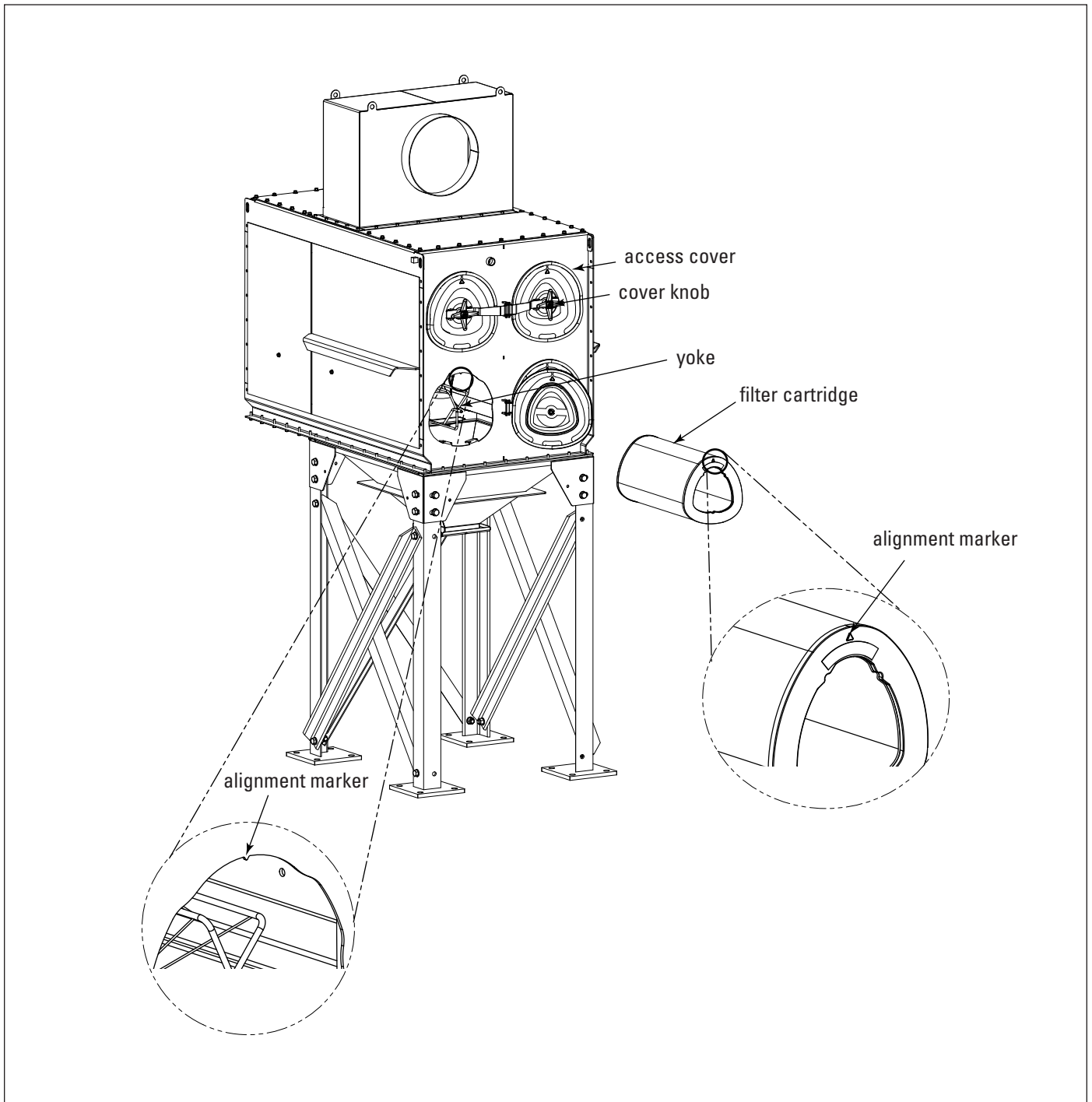
CAUTION

Sharp edge of slide gate may result in personal injury while closing the slide gate. Keep hands clear when operating the slide gate.

4. Check integrity of gasket under drum cover.
5. Replace or reinstall dust container and open gate (if applicable).

Compressed Air Components

1. Periodically check the compressed air components and replace damaged or worn components as necessary.
2. Drain moisture following the manufacturer's instructions.
3. With the compressed-air supply ON, check the cleaning valves, solenoid valves, and tubing for leaks. Repair or replace as necessary.



Filter Removal and Installation

Optional Equipment

Fan Blower

CAUTION

Failure to lift the fan correctly can result in severe personal injury and/or property damage.

Use appropriate lifting equipment and adopt all safety precautions needed for moving and handling the fan.

A crane or forklift and qualified operator are recommended for unloading, assembly, and installation of the fan.

Location must be clear of all obstructions, such as utility lines or roof overhang.

To avoid personal injury and/or damage to equipment, ensure fan blowers are properly attached to equipment.

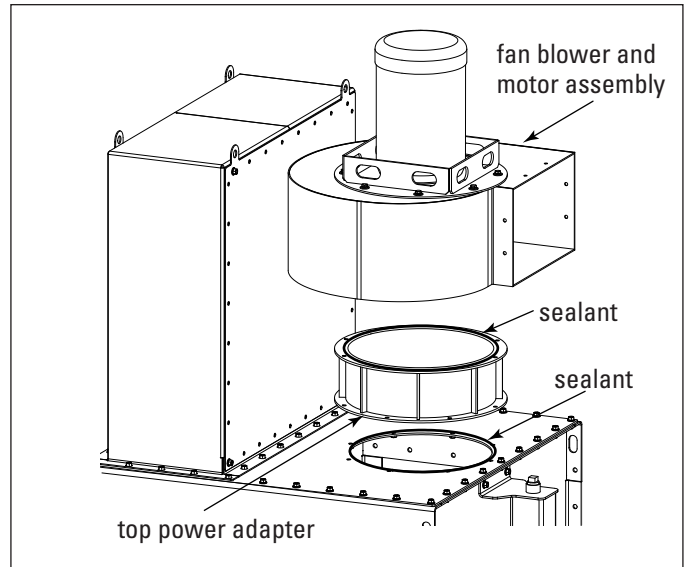
NOTICE

The use of a damper or variable fan drive (VFD) is required to control airflow through the collector. Lack of a control damper or VFD will shorten filter life.

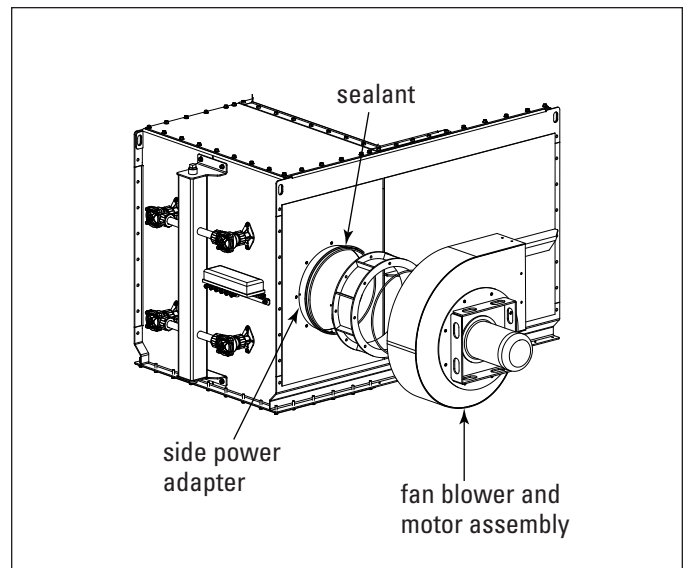
The collector can accept direct mounted fan blowers, Torit Backward Inclined (TBI) or Torit Radial Blade (TRB), to the top or side of the collector.

Fans are dynamically balanced and tested at operating speeds to check for conformance to vibration limits. All fans must be adequately supported for smooth operation.

For complete information, see the most current version of the TBI or TRB Fan Installation, Operation and Maintenance manual.



Top Mount Fan Blower Field Installation



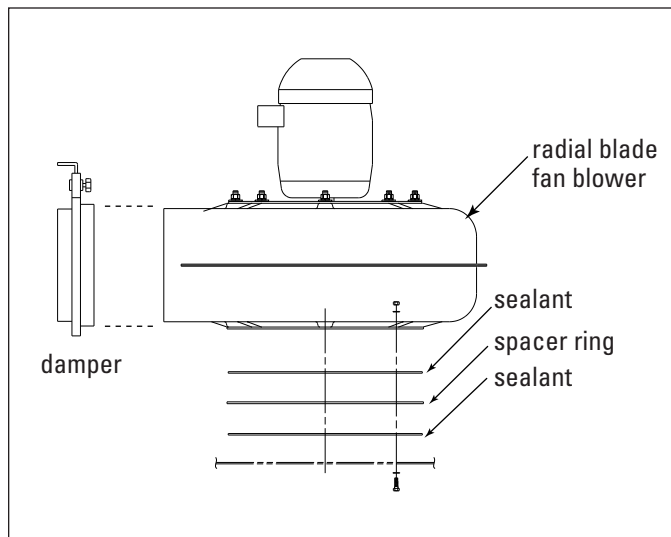
Side-Mount Fan Blower Field Installation

Damper Installation

A damper can be added to the fan blower outlet to limit and regulate airflow when collector is in operation.

Radial Blade

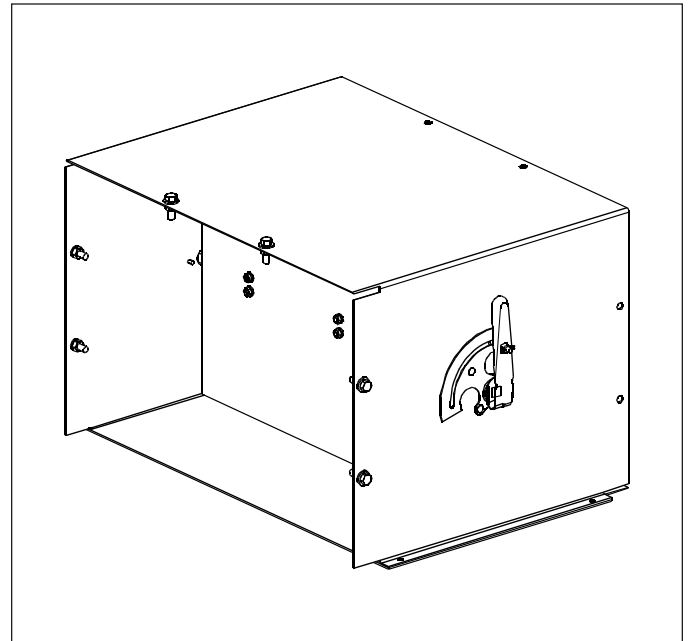
1. Apply 1/4-in diameter bead of sealant toward the inside edge of the bolt pattern on both sides of the spacer ring.
2. Position the spacer ring on the collector's clean-air outlet and align bolt patterns.
3. Apply silicone sealant, supplied with blower, around the blower outlet.
4. Slide the damper collar over the blower outlet and secure using four equally spaced self-drilling screws supplied.
5. Loosen the wing nut on the damper and adjust from 30 to 50% closed.



Radial Blade Fan Blower with Damper

Backward Inclined

1. Apply sealant around the inside edge of the bolt pattern on the power pack outlet.
2. Fasten damper to the blower outlet using the hardware provided.



Damper for Backward Inclined Power Pack

Exhaust Grid Installation

Radial Blade

1. Fit the exhaust grid over the radial blade outlet or the damper assembly, if equipped.
2. Fasten using three self-drilling screws supplied.

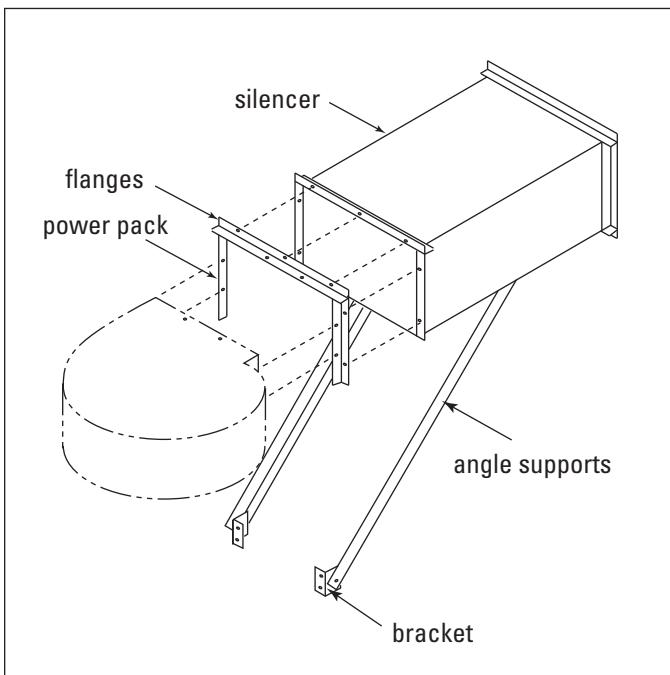
Backward Inclined

1. Attach flanges to the backward inclined outlet using the fasteners supplied.
2. Fasten exhaust grid to flanges using the supplied fasteners.

Exhaust Silencer

Backward Inclined Only

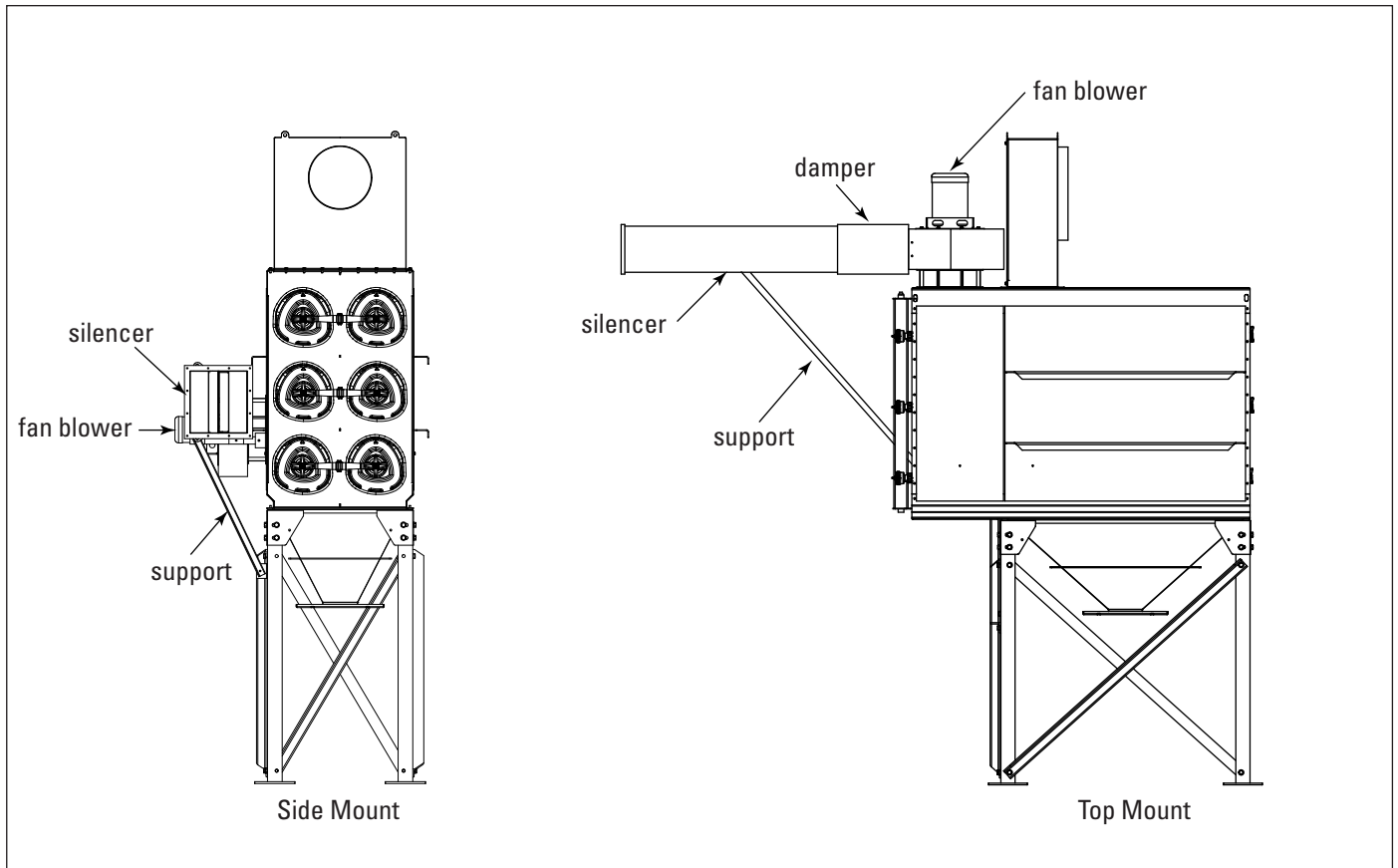
1. Attach flanges to the power pack outlet using the supplied bolts, washers, and nuts.
2. Apply sealant to the flange and attach silencer to flange. Tighten all hardware.
3. Loosely assemble the silencer's support brackets.
4. Align the pivoting support brackets to extend a minimum of 30-inches from the collector and mark the drill locations.
5. Drill pilot holes with a 0.339-inch bit.
6. Secure brackets using 3/8-in thread-forming bolts.
7. If a gap exists between the silencer and the damper, install the panel filter using the screws provided.



Power Pack with Exhaust Silencer

TBI and TRB Style Damper and Silencer Support Bracket

For complete information, see the most current version of the TBI or TRB Fan Installation, Operation and Maintenance manual.



Side and Top-Mount Damper and Silencer Support Bracket

Hopper Access

CAUTION

Completely turn off and lock out all dust collector and ancillary equipment before accessing the inside of the hopper.

Dust may build up behind hatch and fall out when opened. Position yourself so dust will not hit you.

Most dusts present safety and health hazards that require precautions.

Wear eye, respiratory, head and other protective equipment suitable for the type of dust.

NOTICE

Reference Appendix A for Clean Change Bag-In/Bag-Out Filter and Liner System information.

55-Gallon Drum Pack

The drum pack is designed to fit a customer-supplied, standard 55-gallon drum and provides easy access for dust removal and disposal. A flexible hose connects the drum cover to the hopper. Placing a pallet under the drum allows heavier materials to be moved quickly using a forklift or pallet jack. If a pallet is used, the length of flexible hose may need to be shortened.

CAUTION

Sharp edge of slide gate may result in personal injury while closing the slide gate. Keep hands clear when operating the slide gate.

With Slide Gate

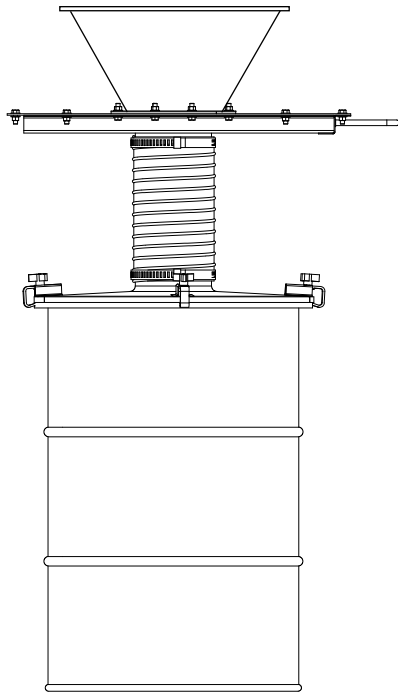
1. Place the 1/8-in gasket spacer between the hopper flange and slide gate as shown.
2. Attach the drum pack and slide gate to the hopper flange using 3/8-16 bolts, washers, and hex nuts.
3. Attach the drum cover to the 55-gallon drum.
4. Use latches to secure the cover to the drum, if equipped.
5. Connect the flexible hose between the drum cover and slide gate. Secure with hose clamps.

Without Slide Gate

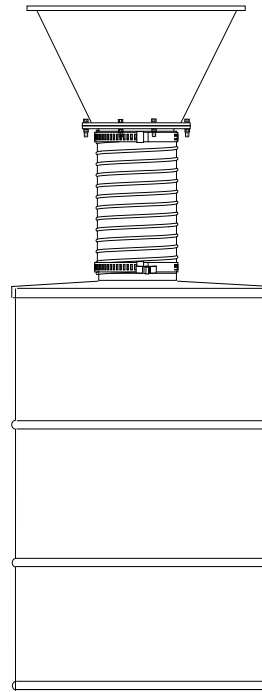
1. Place 1/4-in diameter rope-type sealant between the hopper flange and the drum cover mounting flange toward the inside edge of the bolt pattern.
2. Fasten using the bolts, washers, and nuts supplied.
3. Attach the drum cover to the 55-gallon drum.
4. Use latches to secure the cover to the drum, if equipped.
5. Connect the flexible hose between the drum cover and the adapter. Secure with hose clamps.

5-Gallon Pail Pack

1. Apply sealant to the hopper flange or the pail cover mounting plate flange toward the inside edge of the bolt pattern.
2. Fasten the pail pack to the hopper using the bolts, washers, and nuts supplied.
3. Place pail beneath seater mechanism.
4. Tighten clamps on either side by pulling down.

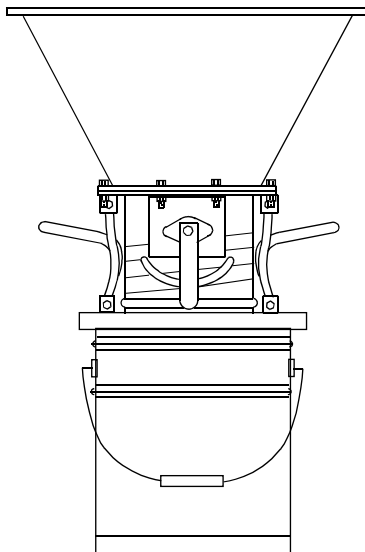


Drum Cover Pack with
Mini Slide Gate and Latches

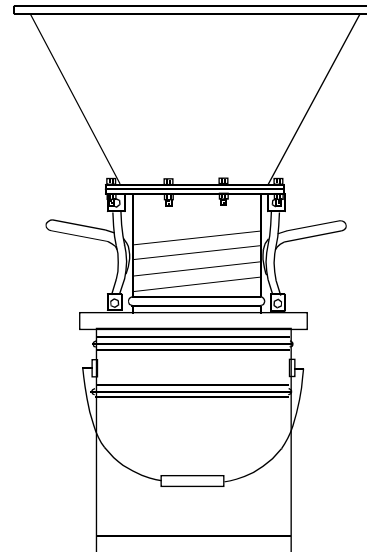


Drum Cover Pack without
Mini Slide Gate and Latches

55-Gallon Drum Pack with and without Gate Valve



Pail Pack
with Gate Valve



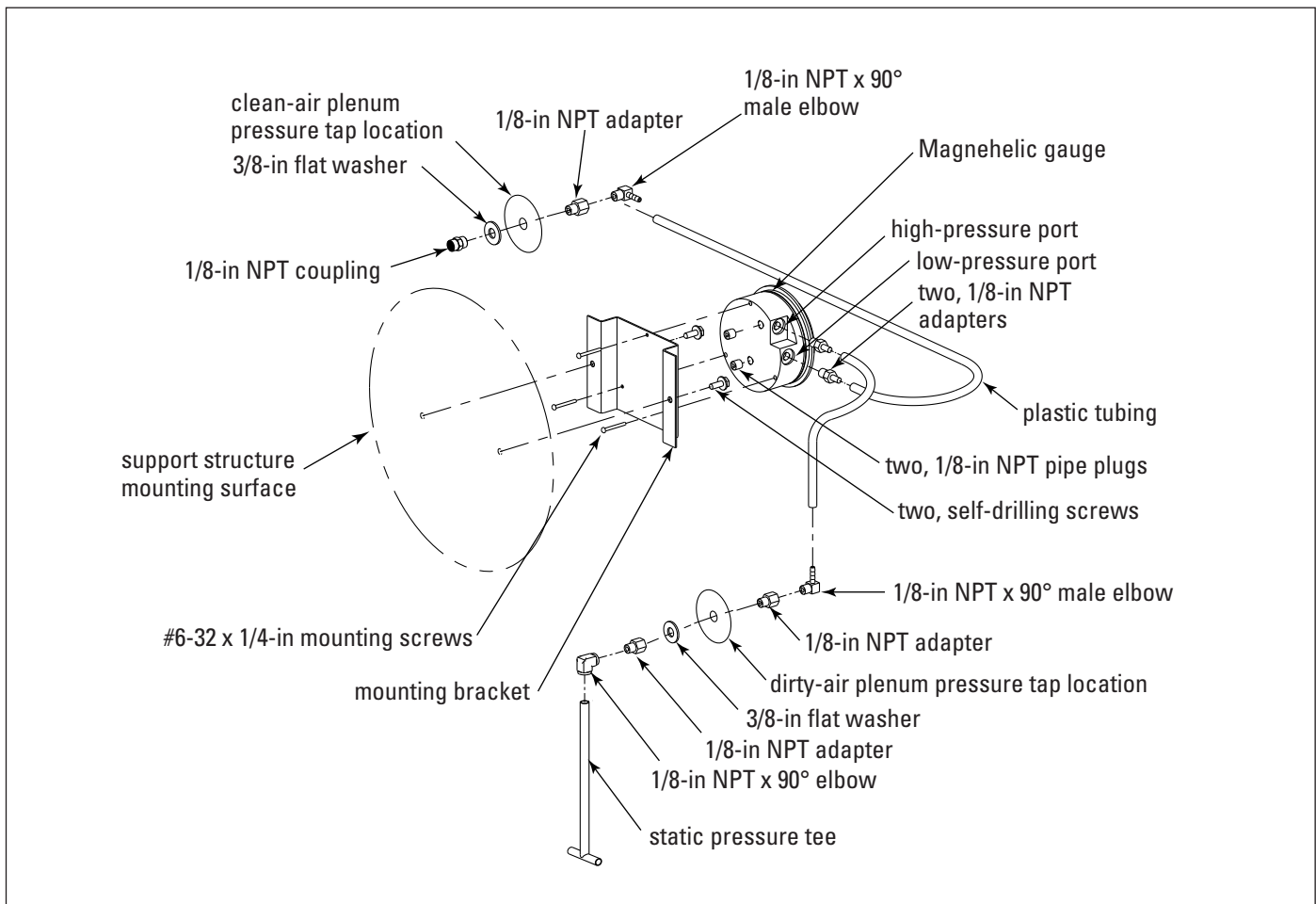
Pail Pack
without Gate Valve

5-Gallon Pail Pack with and without Gate Valve

Magnehelic® Gauge

The Magnehelic is a differential pressure gauge used to measure the pressure difference between the clean-air and dirty-air plenums and provides a visual display of filter change requirements. The high-pressure tap is located in the dirty-air plenum and the low-pressure tap is located in the clean-air plenum.

1. Choose a convenient, accessible location on or near the collector for mounting that provides the best visual advantage.
2. Plug the pressure ports on the back of the gauge using two, 1/8-in NPT pipe plugs supplied. Install two, 1/8-in NPT male adapters supplied with the gauge into the high- and low-pressure ports on the side of the gauges.
3. Attach the mounting bracket using three, #6-32 x 1/4-in screws supplied.
4. Mount the gauge and bracket assembly to the supporting structure using two, self-drilling screws.
5. Thirty-five feet of plastic tubing is supplied and must be cut in two sections. Connect one section of tubing from the gauge's high-pressure port to the pressure fitting located in the dirty-air plenum. Connect remaining tubing from the gauge's low-pressure port to the fitting in the clean-air plenum. Additional tubing can be ordered from your representative.
6. Zero and maintain the gauge as directed in the manufacturer's Operating and Maintenance Instructions provided.



Magnehelic Gauge Installation

Photohelic® Gauge

CAUTION

Electrical installation, service, or maintenance work must be performed by a qualified electrician and comply with all applicable national and local codes.

Turn power off and lock out all power before performing service or maintenance work.

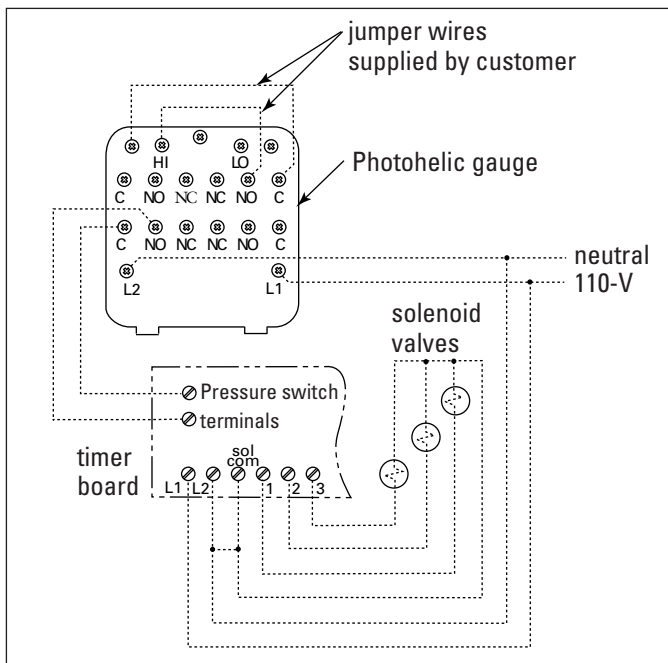
Do not install in classified hazardous atmospheres without an enclosure rated for the application.

The Photohelic combines the functions of a differential pressure gauge and a pressure-based switch. The gauge function measures the pressure difference between the clean-air and dirty-air plenums and provides a visual display of filter condition. The high-pressure tap is located in the dirty-air plenum and a low-pressure tap is located in the clean-air plenum. The pressure-based switch function provides high-pressure ON and low-pressure OFF control of the filter cleaning system.

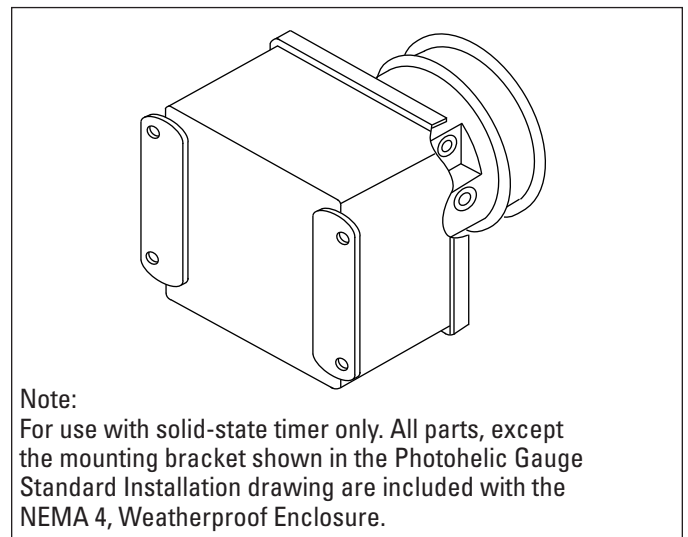
1. Choose a convenient, accessible location on or near the collector for mounting that provides the best visual advantage.
2. Mount the gauge to the remote panel or door using the mounting ring, retaining ring, and four #6-32 x 1

1/4-in screws. Do not tighten screws. Connect two, 1/8-in NPT x 1/4-in OD male adapters to the gauge's high- and low-pressure ports. Tighten screws.

3. On the back of the gauge, remove four #6-32 x 5/16-in screws and plastic enclosure. Set aside. Add two jumper wires supplied by customer. Remove the jumper from the pressure switch located on the timer board, if equipped. Using the 3/4-in conduit opening, wire the gauge as shown. Reassemble and fasten enclosure securely.
4. Thirty-five feet of plastic tubing is supplied and must be cut in two sections. Connect one section of tubing from the gauge's high-pressure port to the pressure fitting located in the dirty-air plenum. Connect remaining tubing from the gauge's low-pressure port to the fitting in the clean-air plenum. Additional tubing can be ordered from your representative.
5. Zero and maintain the gauge as directed in the manufacturer's Operating and Maintenance Instructions provided.
6. To install the Photohelic Gauge mounted in a NEMA 4, Weatherproof Enclosure, follow Steps 4 and 5.



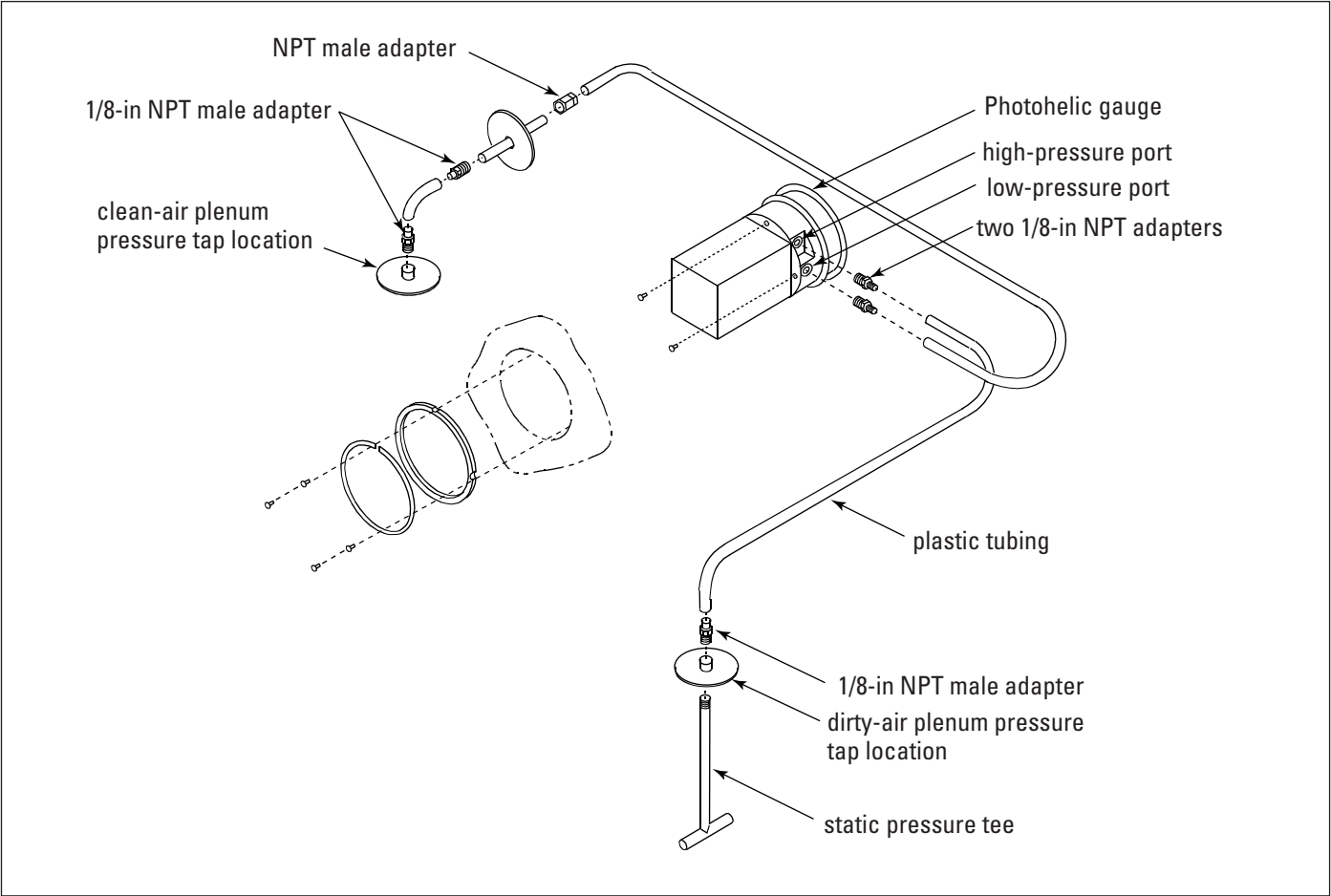
Photohelic Gauge Wiring Diagram



Note:

For use with solid-state timer only. All parts, except the mounting bracket shown in the Photohelic Gauge Standard Installation drawing are included with the NEMA 4, Weatherproof Enclosure.

Photohelic Gauge in Optional NEMA 4 Weatherproof Enclosure



Photohelic Gauge, Remote Panel, or Door Installation

Delta P Control

For complete information, see the most current version of the Delta P Installation, Operation, and Maintenance manual.

Description

The Delta P Controller monitors the differential pressure between the clean-air and dirty-air plenums, providing a visual display of the filter condition. When combined with a pulse timer, it manages the pressure drop by turning the cleaning mechanism On and Off at the chosen limits. There are three (3) set points: High Pressure On, Low Pressure Off, and Alarm. The first two, High Pressure On and Low Pressure Off, control the filter cleaning system. The third, Alarm, provides a relay output to activate an external alarm supplied by others.

Operation

Normal

The Delta P Controller monitors the pressure in the clean-air and dirty-air air plenums while the collector is running. The blower draws air through the filters, creating a pressure drop. The Delta P Controller measures the pressure drop and provides a visual display in inches water gauge or metric (SI) units of daPa.

Filter Cleaning

When the pressure drop across the filters reaches the High Pressure On setpoint, the controller closes an output relay allowing a timer to trigger the cleaning valves sequentially. When the controller senses that the pressure drop has decreased to the Low Pressure Off setpoint, the relay opens and the cleaning cycle stops. This sequence continues as long as the collector is in use, maintaining the pressure drop within a narrow range.

Alarm

The Alarm setpoint is set to a higher setting than the High Pressure On setpoint used to start the filter cleaning cycle. It indicates situations when the cleaning system cannot reduce the pressure drop due to cleaning system failure, lack of compressed air, or the end of the filter's useful life. There is a time delay prior to setting the Alarm to prevent nuisance trips. The Delta P Controller also provides an input connection for a remote alarm reset.



Delta P Control Display

Delta P Plus Control

For complete information, see the most current version of the Delta P Plus Installation, Operation, and Maintenance manual.

Description

The Delta P Plus Controller monitors the differential pressure between the clean-air and dirty-air plenums, providing a visual display of the filter condition. When combined with a pulse timer, it manages the pressure drop by turning the cleaning mechanism On and Off at the chosen limits. There are three (3) set points: High Pressure On, Low Pressure Off, and Alarm. The first two, High Pressure On and Low Pressure Off, control the filter cleaning system. The third, Alarm, provides a relay output to activate an external alarm supplied by others.

The user can program the Delta P Plus Controller to pulse while the collector is running, to maintain a relatively constant pressure drop across the filters, pulse only after the collector is shut down (after-shift cleaning), or a combination of both, cleaning while running as well as end of the shift.

Operation

Normal

The Delta P Plus Controller monitors the pressure on both sides of the tubesheet while the collector is running. As air flows through the filters, the resistance of the media and collected dust creates a pressure difference or "drop" between the dirty and clean air plenums. The Delta P Plus Controller measures the pressure drop and provides a visual display in inches water gauge or metric (SI) units of daPa.

Filter Cleaning

The Delta P Plus Controller offers three filter cleaning options.

1. **Differential Pressure Cleaning (DFF)** - When the pressure drop across the filters reaches the Controller's High Pressure On setpoint, the Controller closes an output relay allowing a sequential timer to trigger the cleaning valves. When the Controller senses that the pressure drop has decreased to the Low Pressure Off setpoint, the relay opens and the cleaning cycle stops. This sequence continues as long as the collector is in use, maintaining the pressure drop within a narrow range.

2. **Downtime Cleaning (DTC)** - The Delta P Plus Controller monitors the collection system. When the pressure drop exceeds the Low Pressure Off set point and then approaches zero again, the Delta P Plus Controller runs a delay timer to allow the blower to come to a stop and then engages the cleaning mechanism for a preselected time.
3. **Combined Differential and Downtime Cleaning (ALL)** - The Delta P Plus Controller combines the two functions described above; maintaining the pressure drop in a narrow band and downtime cleaning the filters when the collector is shut down. The downtime cleaning function can be toggled On or Off from the keyboard.

Alarm

The Alarm setpoint is set to a higher setting than the High Pressure On used to start the filter cleaning cycle. It indicates situations when the cleaning system cannot reduce the pressure drop due to cleaning system failure, lack of compressed air, or the end of the filter's useful life. There is a time delay prior to setting the Alarm to prevent nuisance trips. The Delta P Plus Controller also provides an input connection for a remote Alarm reset.



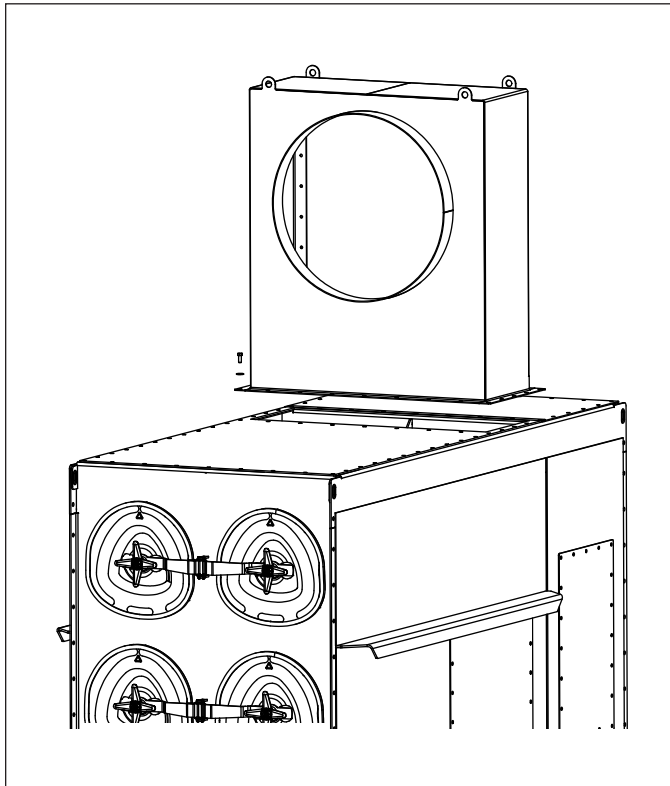
Delta P Plus Control Display

Inlet Plenum

The inlet plenum is standard on Downflo Evolution collectors unless another inlet plenum option has been selected.

The inlet plenum directs the dirty air stream to the back of the dirty-air plenum over the venturi section.

1. Remove the collector's shipping cover plate. Remove excess sealant from opening.
2. Apply 1/4-in sealant around the opening toward the inside edge of the bolt pattern.
3. Align the holes on the inlet collar with the holes in the collector and secure using 3/8-16 x 1-in bolts and flat washers supplied.



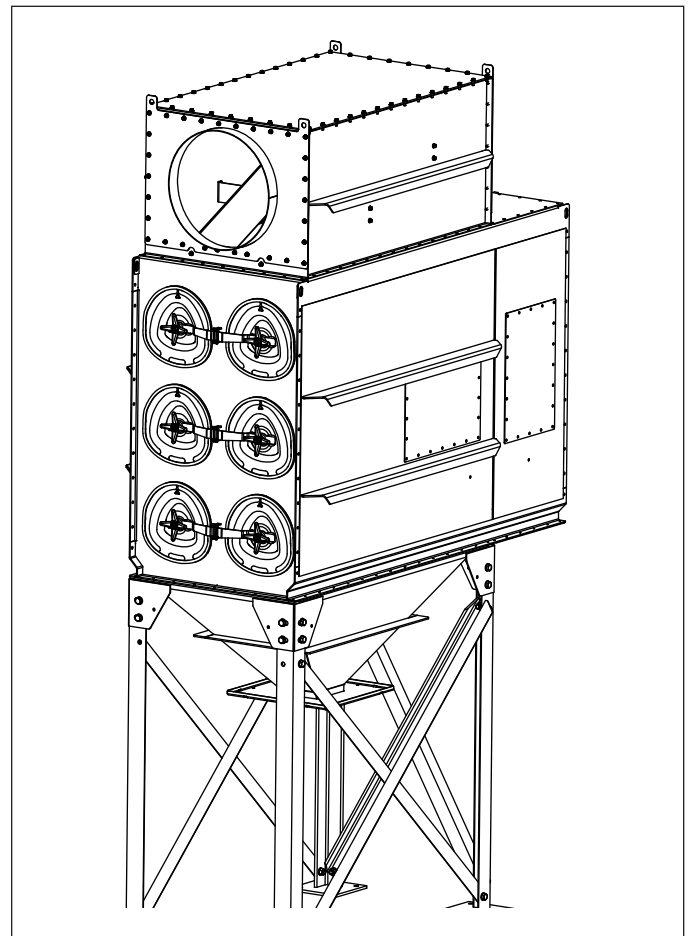
Inlet Plenum

High Flo Inlet Plenum

The high flo inlet plenum is used in applications with higher flow rates.

The high flo inlet plenum is supplied with standard service access panels on the front, back and top of the plenum.

The top access panel is available with and without an explosion vent.



High Flo Inlet Plenum

Platforms and Ladders

Stationary platforms are available for each size collector.

For two filter wide models the platform is available for standard or steep-sided hoppers with the ladder located left or right of the platform.

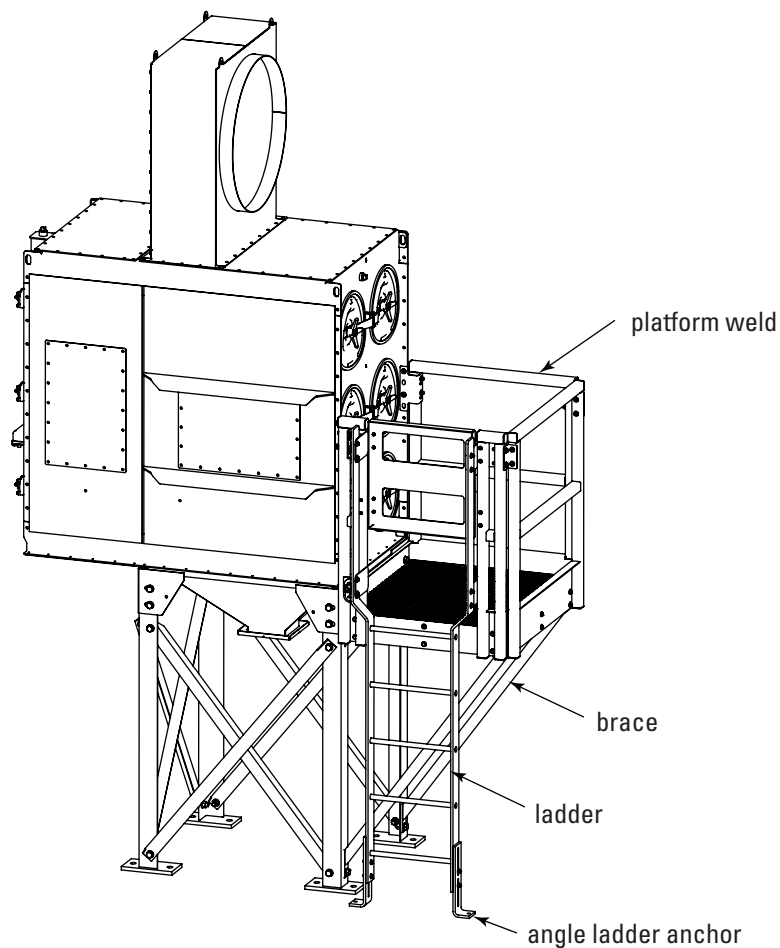
On three filter wide models the platform is available for standard hoppers only with ladder access on the left or right side of the platform. Complete installation and assembly instructions are shipped with the platform.

CAUTION

Dropping the platform can result in personal injury and/or property damage. Secure the platform assembly to the crane or forklift with straps or clamps.

Stationary Platform

1. Pre-assemble the platform according to the instructions shipped with the platform. The hardware and placement is called out on the assembly drawing.
2. Lift the assembled platform into position and secure following the assembly drawing instructions.
3. Tighten all hardware before removing crane or forklift.
4. Check platform hardware each time the platform is used.



Stationary Platform

Cold Climate Kit

CAUTION

Electrical installation, service, or maintenance work must

be performed by a qualified electrician and comply with all applicable national and local codes.

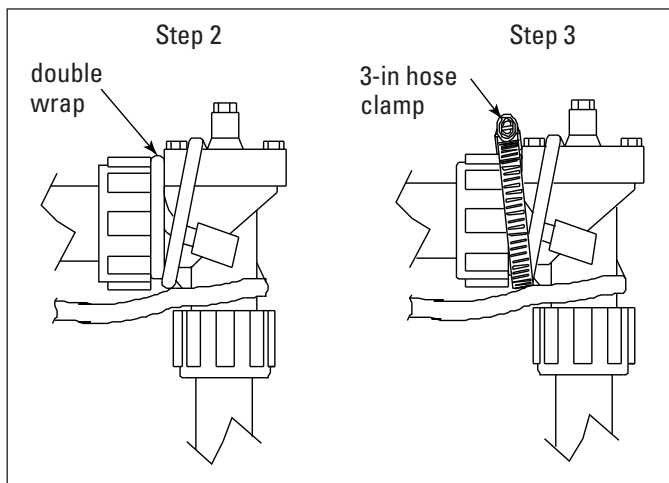
Turn power off and lock out all power before performing service or maintenance work.

Do not install in classified hazardous atmospheres without an enclosure rated for the application.

A cold climate kit provides heat to the pulse valves to prevent cold weather freeze up. The basic kit, for use in applications that have a moderate amount of moisture in the compressed-air supply, consists of a small heating element and thermostat installed in the solenoid enclosure. The basic kit is factory-installed and supplied with the appropriate solenoid wiring instructions.

A heavy-duty kit is available for applications that have moderate-to-high amounts of moisture in the compressed-air supply and consists of the basic kit plus a heat cable to deliver heat to the large pulse valves. This kit is customer-installed and detailed installation instructions are provided.

1. Install the power connection kit on the heat cable following the manufacturer's instructions.
2. Start with the upper right-hand valve, wrap heat cable around the valve as shown in Detail A. Pull heat cable tight.

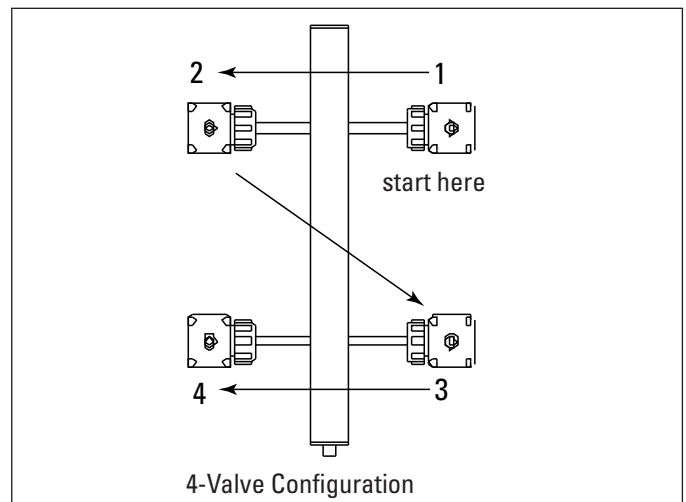


Cold Climate Kit, Detail A

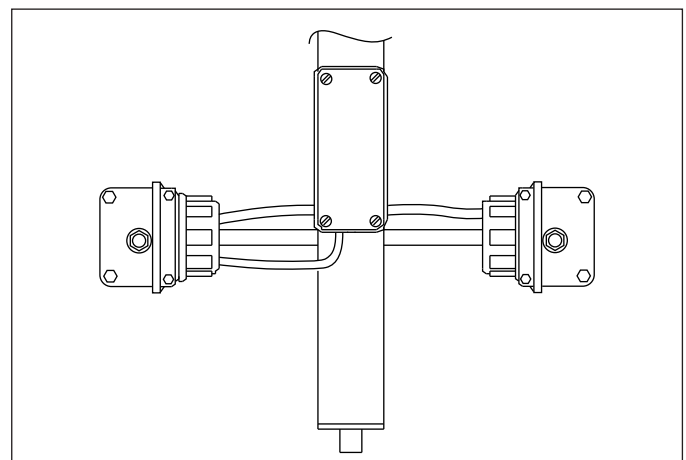
NOTICE

Double wrap between round coupling and square valve cover.

3. Position a 3-in hose clamp around the double wrapped heat cable and tighten securely.
4. Wrap remaining valves using the same technique in the order shown in Detail B.
5. Drill a 1-in diameter hole in the back of the junction box. See Detail C. Assemble the power connection kit following the manufacturer's instructions.
6. Secure junction box to manifold using two, 8-in hose clamps wrapped around the standoff.
7. Wrap 6-ft of pipe insulation tape around each heat-cable wrapped valve. Wrap the entire valve, double wrapping the hose-clamped heat cable. Secure with cable ties.



Cold Climate Kit, Detail B



Cold Climate Kit, Detail C

Explosion Vent

CAUTION

Personal injury, death, and/or property damage can result from material discharge during venting.

The material discharged during the venting of an explosion must be safely directed outdoors away from areas occupied by personnel to reduce risk of personal injury and/or property damage.

The risk of personal injury and/or property damage can be minimized or avoided by locating vented equipment outside buildings and away from normally occupied areas.

Explosion vents should be inspected regularly to confirm physical and operational condition. Replace any damaged parts immediately.

Standard explosion vents are intended for outdoor installations only.

Unless otherwise noted, the explosion venting calculations are based on formulas from NFPA-68 for outdoor applications only, with no duct or obstructions on the explosion vent panel.

Contact Donaldson Torit for assistance in calculating specific venting requirements for equipment.

NFPA 68 can provide guidance on both the frequency of and appropriate details for inspections.

Sprinkler

CAUTION

Sprinklers can place a large quantity of water in the dust collector when activated. Provide adequate drainage to remove water. Excess water weight can cause the leg structure to collapse.

NOTICE

Consult with local authorities when installing fire control systems on dust collection equipment.

Sprinkler couplings are provided for the convenience of fire control system installers. The fire control system installer shall make their own decisions on the appropriate location of fire control system components.

Troubleshooting

Problem	Probable Cause	Remedy
Fan blower and motor do not start	Improper motor wire size	Rewire using the correct wire gauge as specified by national and local codes.
	Not wired correctly	Check and correct motor wiring for supply voltage. See motor manufacturer's wiring diagram. Follow wiring diagram and the National Electric Code.
	Collector not wired for available voltage	Correct wiring for proper supply voltage.
	Input circuit down	Check power supply to motor circuit on all leads.
	Electrical supply circuit down	Check power supply circuit for proper voltage. Check for fuse or circuit breaker fault. Replace as necessary.
	Damaged motor	Replace damaged motor.
Fan blower and motor start, but do not stay running	Incorrect motor starter installed	Check for proper motor starter and replace if necessary.
	Access doors are open or not closed tight	Close and tighten access doors. See Filter Installation.
	Hopper discharge open	Check that dust container is installed and properly sealed.
	Damper control not adjusted properly	Check airflow in duct. Adjust damper control until proper airflow is achieved and the blower motor's amp draw is within the manufacturer's rated amps.
	Electrical circuit overload	Check that the power supply circuit has sufficient power to run all equipment.
Clean-air outlet discharging dust	Filters not installed correctly	See Filter Installation.
	Filter damage, dents in the end caps, gasket damage, or holes in media	Replace filters as necessary. Use only genuine Donaldson replacement parts. See Filter Installation.
	Access cover(s) loose	Tighten access doors securely. See Filter Installation.
Insufficient airflow	Fan rotation backwards	Proper fan rotation is clockwise when viewed from the motor side or counterclockwise when viewed through the inlet cone. See Preliminary Start-Up Check.
	Access doors open or not closed tight	Check that all access doors are in place and secured. Check that the hopper discharge opening is sealed and that dust container is installed correctly.
	Fan exhaust area restricted	Check fan exhaust area for obstructions. Remove material or debris. Adjust damper flow control.
	Filters need replacement	Remove and replace using genuine Donaldson replacement filters. See Filter Removal and Installation.

Troubleshooting

Problem	Probable Cause	Remedy
Insufficient airflow continued	Lack of compressed air	See the Specification Control Drawing shipped with the collector for compressed air supply requirements.
	Pulse cleaning not energized	Use a voltmeter to check the solenoid valves in the control panel. Check pneumatic lines for kinks or obstructions.
	Dust storage area overfilled or plugged	Clean out dust storage area. See Dust Disposal.
	Pulse valves leaking compressed air	Lock out all electrical power to the collector and bleed the compressed air supply. Check for debris, valve wear, pneumatic tubing fault, or diaphragm failure by removing the diaphragm cover on the pulse valves. Check for solenoid leaks or damage. If pulse valves or solenoid valves and tubing are damaged, replace.
	Solid-State timer failure	Using a voltmeter, check supply voltage to the timer board. Check and replace the fuse on the timer board if necessary. If the fuse is good and input power is present but output voltage to the solenoid is not, replace the timer board. See Solid-State Timer Installation.
	Solid-State timer out of adjustment	See Solid-State Timer and Solid-State Timer Wiring Diagram.
No display on the Delta P Controller	No power to the controller	Use a voltmeter to check for supply voltage.
	Fuse blown	Check the fuse in the control panel. See wiring diagram inside the control panel. Replace if necessary.
Display on Delta P Controller does not read zero when at rest	Out of calibration	Recalibrate as described in Delta P Maintenance Manual.
	With collector discharging outside, differential pressure is present from indoor to outdoor	Recalibrate with the pressure tubing attached as described in the Delta P Maintenance Manual.
Delta P Controller ON, but cleaning system does not start	Pressure tubing disconnected, ruptured, or plugged	Check tubing for kinks, breaks, contamination, or loose connections.
	Not wired to the timing board correctly	Connect the pressure switch on the timer board to Terminals 7 and 8 on TB3.
	Faulty relay	Using a multimeter, test relay for proper closure. Replace if necessary.

Problem	Probable Cause	Remedy
Pulse cleaning never stops	Pressure switch not wired to the timer board correctly	Connect the pressure switch on the timer board to Terminals 7 and 8 on TB3.
	Pressure switch terminals on the timer board jumpered	Remove jumper wire on Solid-State Timer board before wiring to the Delta P Control.
	High Pressure On or Low Pressure Off setpoint not adjusted for system conditions	Adjust setpoints to current conditions.
	Pressure tubing disconnected, ruptured, plugged, or kinked	Check tubing for kinks, breaks, contamination, or loose connections.
Alarm light is ON	Alarm setpoint too low	Adjust to a higher value.
	Excess pressure drop	Check cleaning system and compressed air supply. Replace filters if filters do not clean down.
	Pressure tubing disconnected, ruptured, plugged, or kinked	Check tubing for kinks, breaks, contamination, or loose connections.
Delta P arrow keys do not work	Improper operation	Press and hold one of the three setpoint keys to use arrow keys.
	Programming keys disabled	Remove the Program Disable jumper from Terminals 3 and 4 on TB2.
Cleaning light is ON, but cleaning system not functioning	Improper wiring	Check wiring between the Delta P Control and the timer board, and between the timer board and solenoid valve coils.
	Defective solenoids	Check all solenoid coils for proper operation.
	Timer board not powered	Check power ON light on timer board's LED display. If not illuminated, check the supply voltage to the timer board. Check the fuse on the timer board. Replace if necessary.
	Timer board defective	If LED is illuminated, observe the output display. Install a temporary jumper across the pressure switch terminals. Output levels should flash in sequence. Check output using a multimeter set to 150-Volt AC range. Measure from SOL COM to a solenoid output. The needle will deflect when LED flashes for that output if voltage is present. If LED's do not flash, or if no voltage is present at output terminals during flash, replace the board.

Appendix A - Clean Change Bag-In/Bag-Out Filter and Liner System

Clean Change Bag-In/Bag-Out Filter and Liner System

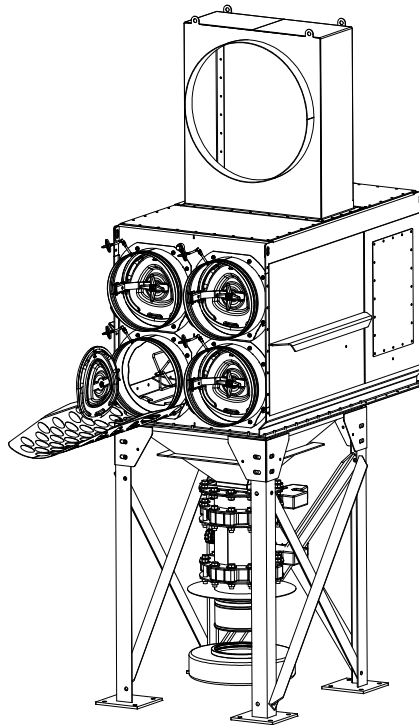
The Donaldson Torit Downflo® Evolution (DFE) Clean Change Filter and Liner System is a continuous-duty dust collector with cartridge-style filters. Designed for dust containment, each collector may include Bag-In/Bag-Out (BIBO) collars, clamps, bands, and bags for the filters and/or containment options for the hopper. Hopper options may include a single or double inflatable valve and /or 50-ft continuous containment liner for discharge. Contact your Donaldson Torit representative for additional information on custom collector options.



Use extreme caution when changing bags in hazardous material applications.

Wear appropriate PPE including appropriate protective clothing and respirator, to prevent accidental exposure to hazardous material.

When properly used, the Bag-In/Bag-Out Option reduces exposure to contaminants and exposure of contaminants to the atmosphere.



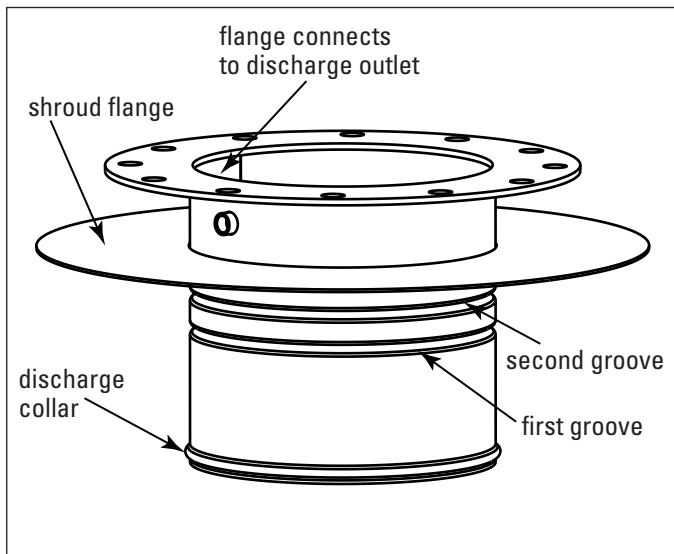
Typical Clean Change Filter and Liner System

Installation of Continuous Liner Collar

The Continuous Liner Collar may not be preinstalled to the collector and may need to be securely fastened to the transition chosen for your specific application.

Remove all packaging from the continuous collar. Place gasket on collar flange and align Liner Collar with transition flange. Fasten the collar to hopper flange using bolts, washers and nuts.

Tighten hardware alternately in steps.



Clean Change Liner Pack Change-Out Procedure

Overview

The Donaldson Clean Change Liner System provides a contained approach for the off-loading of powders from the Donaldson Torit Dust Collector. An advantage of the continuous liner system is being able to replace follow-on packs without breaking powder containment for continuous production.

The continuous liner design eliminates cross contamination of powders. The pre-packaged 50-ft liners reduce labor by allowing operators to continuously process powders, instead of stopping production to discharge the hopper.

The liner system attaches directly to the collector via the continuous liner collar. Liner bands and clamps are used to secure the 50-ft liner. Each 50-ft liner provides the equivalent of ten 50 gallon (185 liter) drums in capacity. It is up to the end-user to determine how often to discharge and dispose of the powder.

Clean Change Liner System Components

Initial purchase of Donaldson Clean Change Solution includes:

- 1 - 50-ft continuous liner pack with two integrated rubber gaskets
- 1 - Liner Pack Shroud
- 1 - Metal Band Clamp
- 1 - Locking Outer Clamp (with integrated rubber gasket)
- 1 - Crimping Tool with 100 crimp ties
- 1 - Cutting Tool

Initial Installation of Clean Change Liner System

The Clean Change Liner system should be attached after installation of the Donaldson Dust Collector and before beginning dust collection from the process.

Note: It is recommended that the Donaldson Torit Dust Collector be completely installed before attaching the Clean Change Liner System.

Step by step liner instructions are provided in the ILC Dover Document Number DOC9261 provided separately.

Clean Change BIBO Filter Service

BIBO Filter Removal and Installation

CAUTION

Use proper safety and protective equipment when removing contaminants and filters.

Dirty filters may be heavier than they appear.

Use care when removing filters to avoid personal injury and/or property damage.

Turn power off and lock out electrical power sources before performing service or maintenance work.

Turn compressed air supply OFF, bleed and lock out lines before performing service or maintenance work.

Do not operate with missing or damaged filters.

All filters must be removed and installed utilizing the following BIBO procedure to maintain containment.

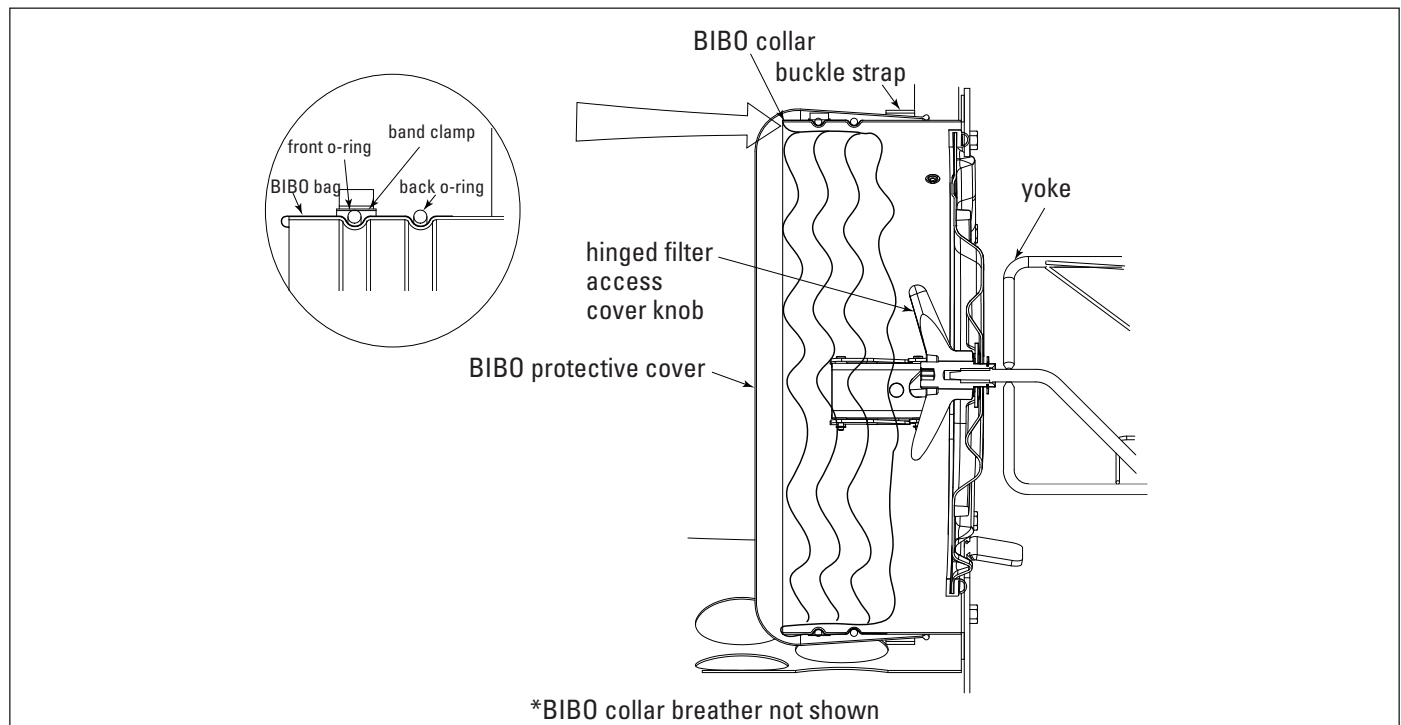
The following pre-installed items are located in each filter access port to facilitate Bag-In/Bag-Out (BIBO) replacement of the filter:

- Hinged BIBO Cover - provides a safety barrier to contain BIBO bag inside the access port.

- BIBO Bag - safely contains contaminants collected from the filter cartridge in each access port.
- Band Clamp - secures the BIBO bag and O-ring to the collar.
- O-ring gaskets (front and back) - creates a seal around the BIBO bag to secure the bag to the collector.
- Breather Filter Assembly - provides a filtered exhaust for removal of air as the BIBO bag is compressed and stored in the BIBO collar.
- BIBO Support Shelf - provides support to the filter during filter removal and installation and holds hinged BIBO cover out of the way for filter change.

Original Equipment Filter

To ensure performance levels, use only Donaldson Torit replacement filters.



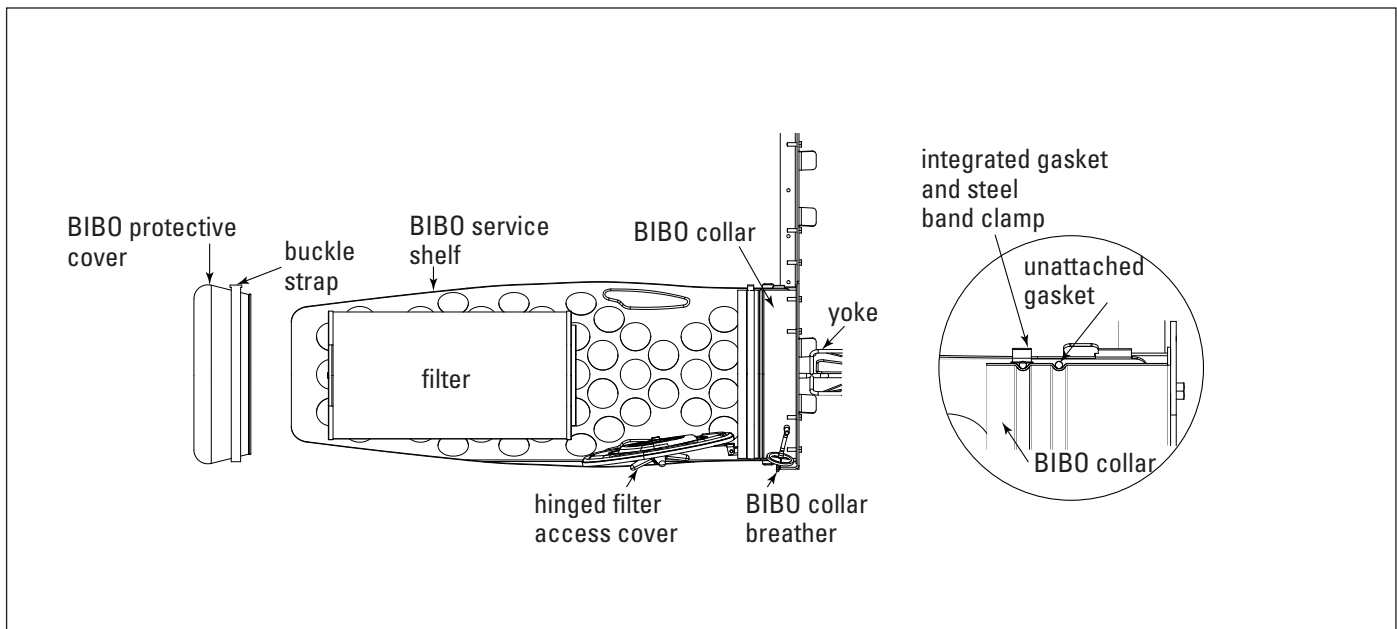
BIBO Pre-Installed Items (Side View)

Initial Filter Installation of BIBO

NOTICE

If filters, Bag-In/Bag-Out (BIBO) bags and BIBO Collar Breathers are not pre-installed, please follow these steps per opening, before the collector is turned on.

1. Unbox necessary number of cartridge filters per model capacity.
2. Open hinged access cover and install cartridge filters gasket end first following procedures outlined in the DFE Installation and Operation Manual.
3. Close and seal filter access cover on collector.
4. Locate BIBO Collar Filter Breather and attach to BIBO Collar.
5. On each collar, place the BIBO bag around the BIBO collar with the integrated O-ring gasket in the back groove (closest to collector) of the collar creating the first seal between the bag and collar. If the Clean Change bag is used, place the bag extension on the opposite side of the access cover hinge to allow for easy access to the filter opening.
6. Place separate (unattached) O-ring gasket in the first groove (furthest from collector) of the collar. This will give two levels of containment between collar and bag.
7. Take open steel band camp, place around the collar and tighten around the integrated gasket (first gasket installed) creating the triple seal for filter change-out containment.
8. With BIBO bag now properly attached to BIBO collar, slowly roll empty bag into collar so that air will disperse through filter breather. Once the bag has dispersed all air it should fit inside collar up against closed filter access cover.
9. Insert BIBO protective cover onto BIBO collar to protect and hold BIBO bag in place. Place buckle strap around the protective cover and tighten to secure protective cover.
10. If hopper discharge is also installed and connected, turn the collector ON.



Initial Filter Installation of BIBO

Filter Removal and Installation



Use proper safety and protective equipment when removing contaminants and filters.

Dirty filters may be heavier than they appear.

Use care when removing filters to avoid personal injury and/or property damage.

Turn power off and lock out all power before performing service or maintenance work.

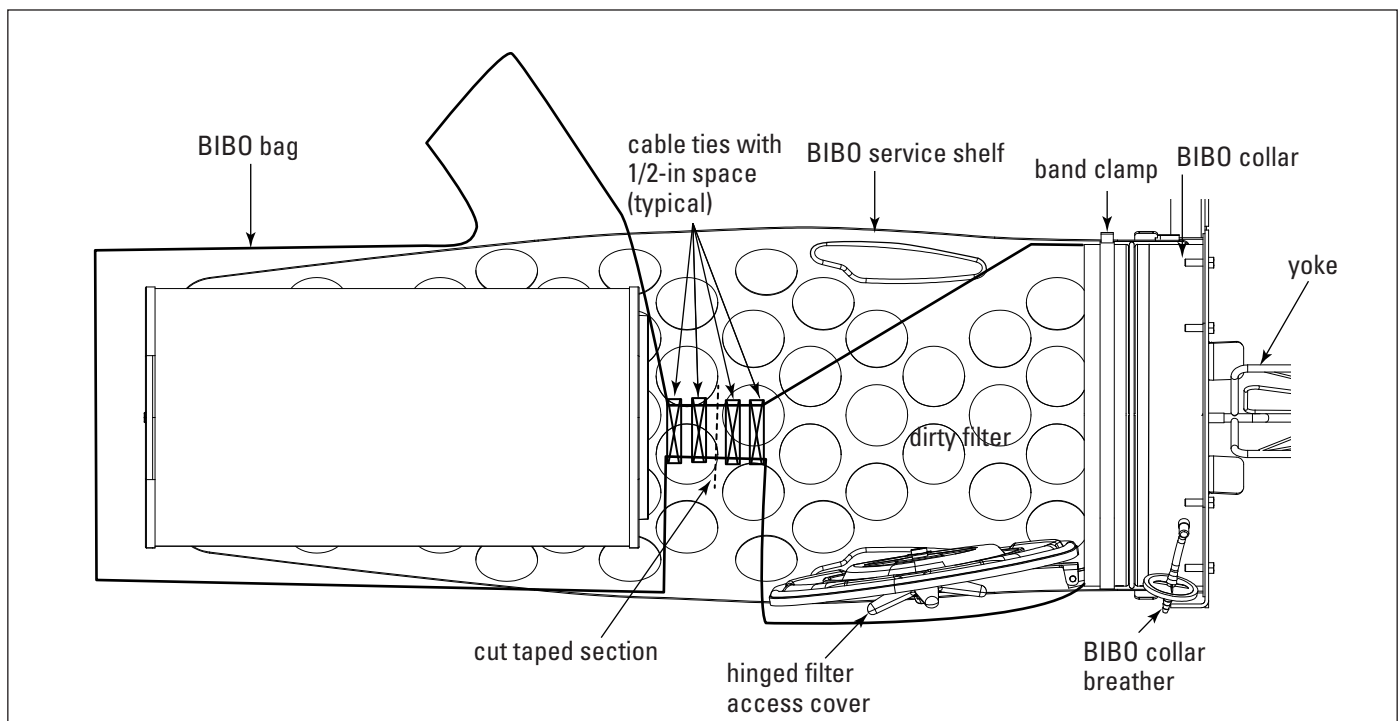
Turn compressed air supply OFF, bleed and lock out lines before performing service or maintenance work.

Do not operate with missing or damaged filters.

Ensure all pre-installed items are present, undamaged and in the correct place before proceeding with filter removal and replacement. See BIBO Pre-Installed Items. Failure to comply may result in containment failure and lead to property damage and/or personal injury.

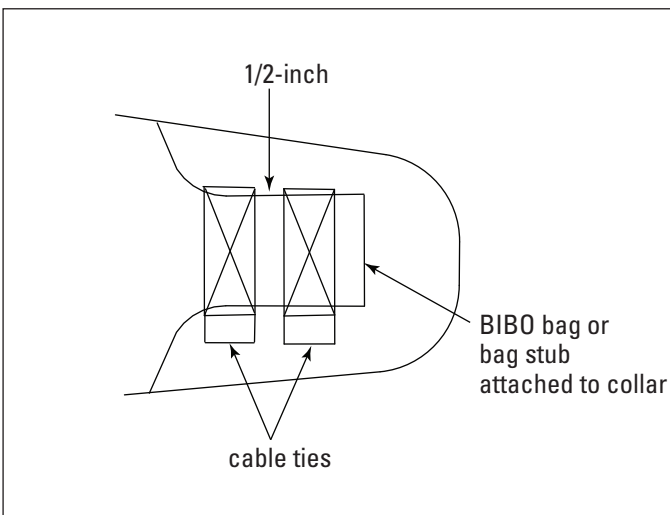
Clean Change Filter Removal

1. Starting at the top row of filters, securely position the BIBO service shelf on the bracket attached to the BIBO collar.
2. Remove the buckle strap and BIBO protective cover from the collar and set aside.
3. Unroll the BIBO bag from inside of the collar out onto the service shelf.
4. Toward the edge of the BIBO bag is the bag extension to be used as a glove. Using the extension as a glove reach into the bag and open the hinged filter access cover by loosening the knob. Place the filter access cover into the opening on the BIBO service shelf to hold it securely out of the way during filter change operations.
5. To remove the filter, using both hands, position the end of the bag into the filter opening and pull the filter cartridge out to the end of the bag, resting the bag and cartridge on the end of the shelf.
6. Loosely reposition the access cover to the end of the filter yoke.



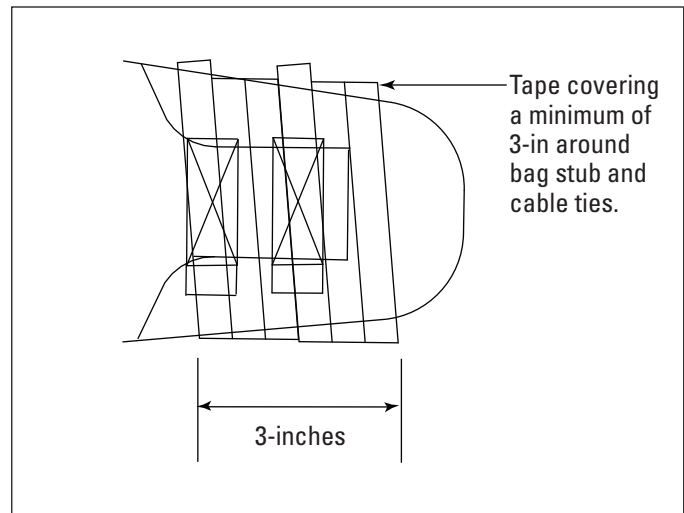
Filter Removal

7. Locate the cleanest section of bag closest to the collar, making sure there is enough bag to collapse into a tight bundle without stretching the bag too tight.
8. Wrap and hand tighten two cable ties around the collapsed bag section between the collar and filter cartridge, spacing the cable ties approximately 1/2-inch apart.
9. Compress as much air as possible from the BIBO bag and BIBO bag extension.
10. Securely tighten the two cable ties with the supplied cable tie tool at the maximum setting.
11. Cut the compressed BIBO bag between the two cable ties leaving one tie around each section.
12. Place tape over the cut end of the BIBO bag containing the filter and both cable ties.
13. Securely wrap tape around the cut end of the bag covering a minimum of 3-inches around the bag end.



Tape Wrap (Steps 10-13)

14. Properly dispose of the BIBO bag containing the filter.
15. If collector contains two filters per opening, gently push the stub into the collar.
16. Open a new bag and place the open end around the bag collar as close to the collector as possible. The bag stub is now inside the new bag.
17. Loosen the safety strap, slide the new bag under the strap, and the bag stub toward the end of the collar. Tighten the safety strap to hold the new bag only and carefully remove the bag stub from the collar.
18. Use the filter ejector rod to pull the second filter toward the bag collar until within reach.
19. Repeat steps 5-14.



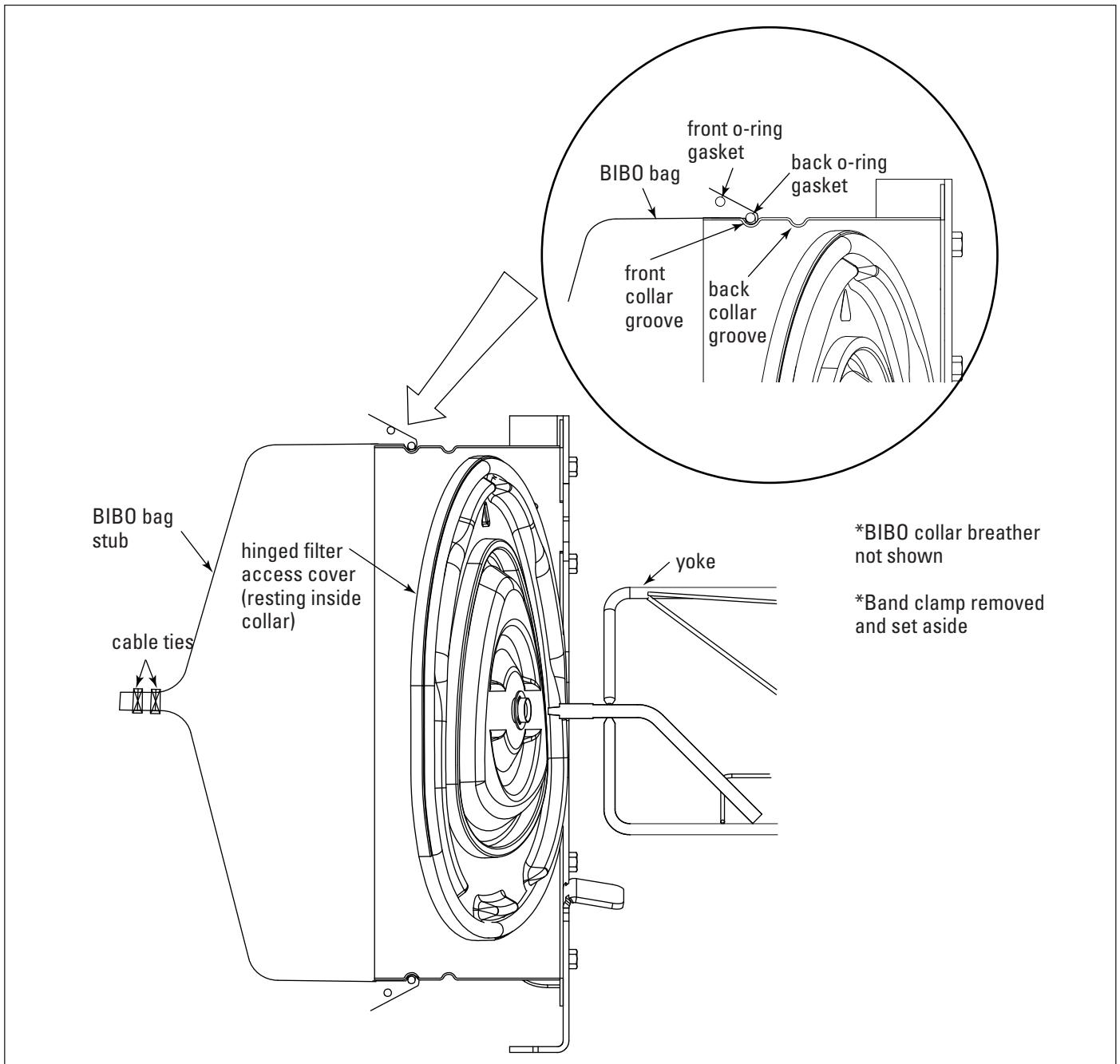
Tape Wrap (Steps 14-17)

20. Carefully remove the band clamp from the collar.
21. Move the front (integrated) O-ring gasket back 1/4-in in front of the back (unattached) O-ring gasket.



Do not remove bag from collar.
Failure to comply will result in
containment exposure.

22. Slowly and carefully slide the bag and both O-ring gaskets towards the front of the collar until the back o-ring gasket engages the front collar groove (furthest from collector) illustrated below.



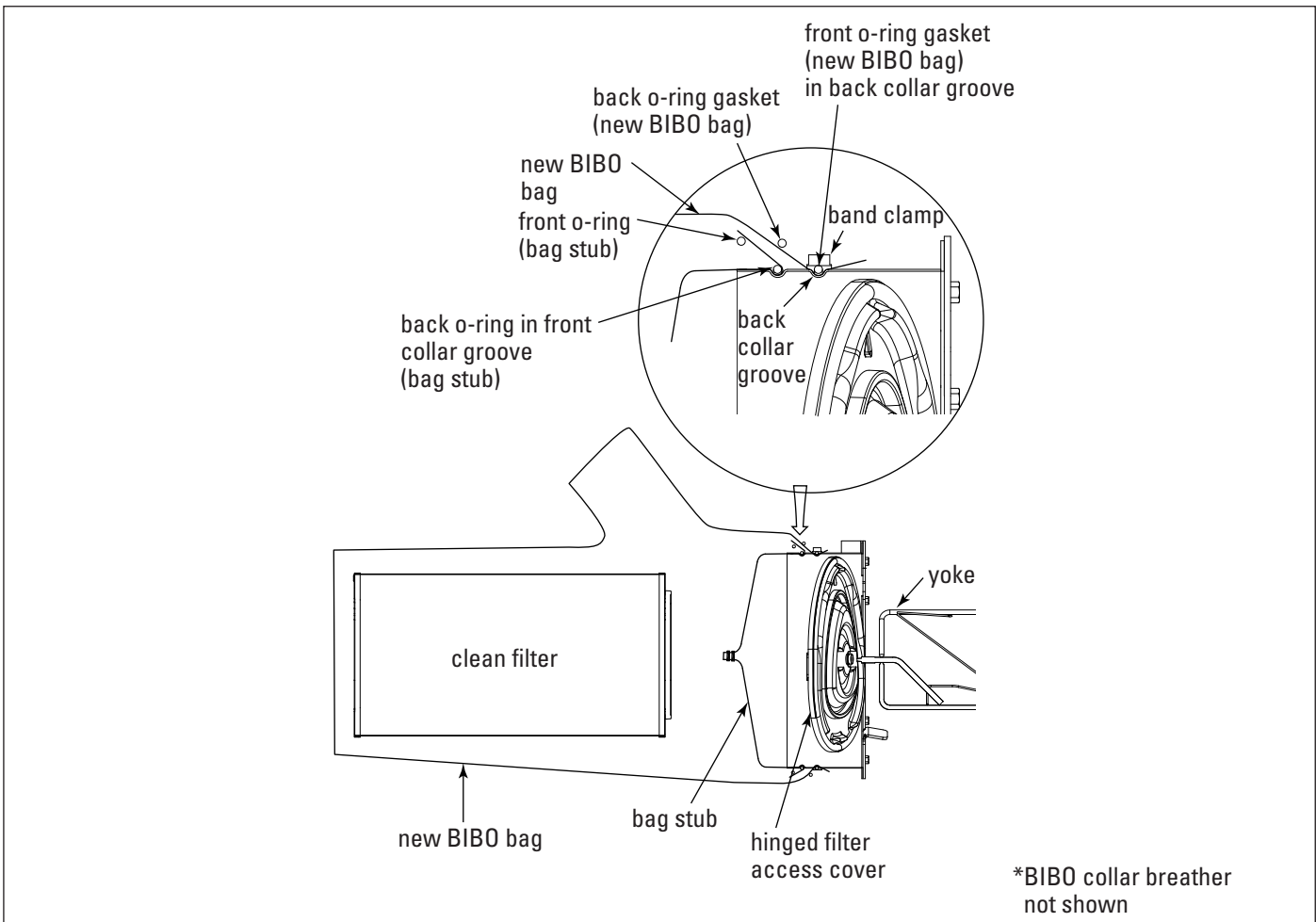
*BIBO collar breather
not shown

*Band clamp removed
and set aside

Bag Stub Repositioning (Side View)

Clean Change Filter Installation

1. Place a clean filter cartridge in a new BIBO bag with the filter gasket side facing the bag opening toward the collar on the collector.
2. Place clean filter and BIBO bag on BIBO service shelf.
3. Slide the new BIBO bag over the collar and past the bag stub and bag stub O-ring gasket. Position the bag extension on the opposite side of the access cover hinge.
4. Install the new front (integrated) O-ring gasket in the back groove.
5. Install the back (unattached) O-ring gasket adjacent to the back O-ring gasket.
6. Reinstall the band clamp on the front O-ring gasket (closest to collector).
7. Invert the BIBO bag extension with both hands and pull off the bag stub section and O-ring gaskets into the new BIBO bag. O-ring gaskets will automatically pull off with it.
8. Move the back O-ring gasket into the front groove.
9. Remove the band clamp and reinstall on the back O-ring gasket.



Filter Installation

10. Install the filter with gasket end toward collector.

Using the BIBO bag as a glove, support the filter with both hands while positioning the alignment features and slide the gasket end of the new filter onto the end of the suspension yoke.

CAUTION

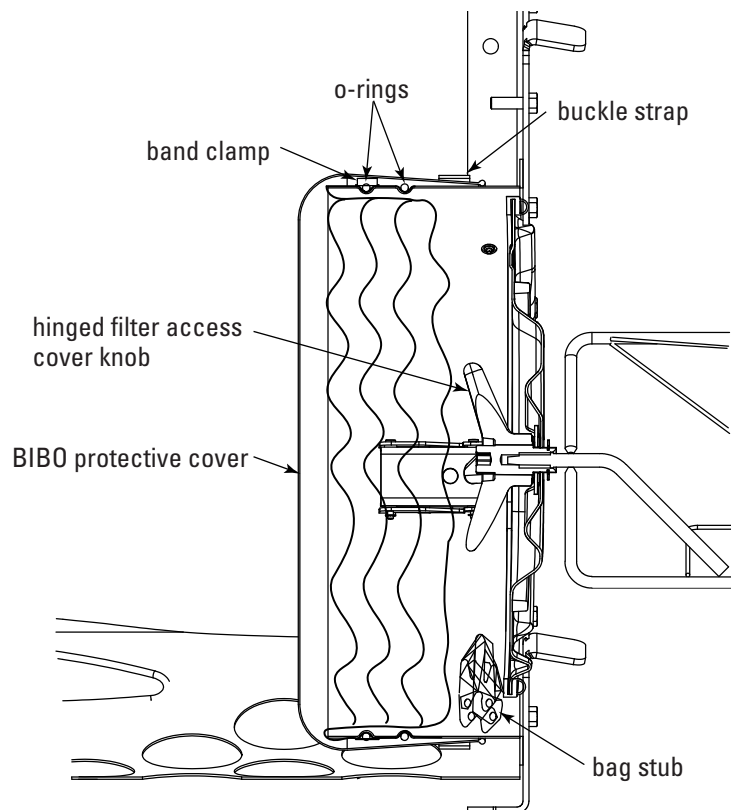
Do not allow the bag to become pinched between the access cover and sealing surfaces. Failure to comply may result in containment failure.

NOTICE

The filter shape and yoke work together to ensure proper filter alignment during filter installation. To assist with alignment, an alignment mark (Δ) at the top of the filter endcap (non-gasketed end) must match with the alignment mark (∇) at the top of the filter access opening.

If knob fails to thread onto yoke, on the opposite side of the hinge, apply slight pressure to the access cover using other hand. Continue to turn knob to start threading onto the yoke.

11. Close the filter access cover and tighten onto the yoke.
12. Slowly roll bag back into the collar to allow air to escape through the BIBO collar breather (see Bag Setup).
13. Install the BIBO protective cover and secure with buckle strap.
14. Turn electrical power and compressed air supply ON before starting collector.

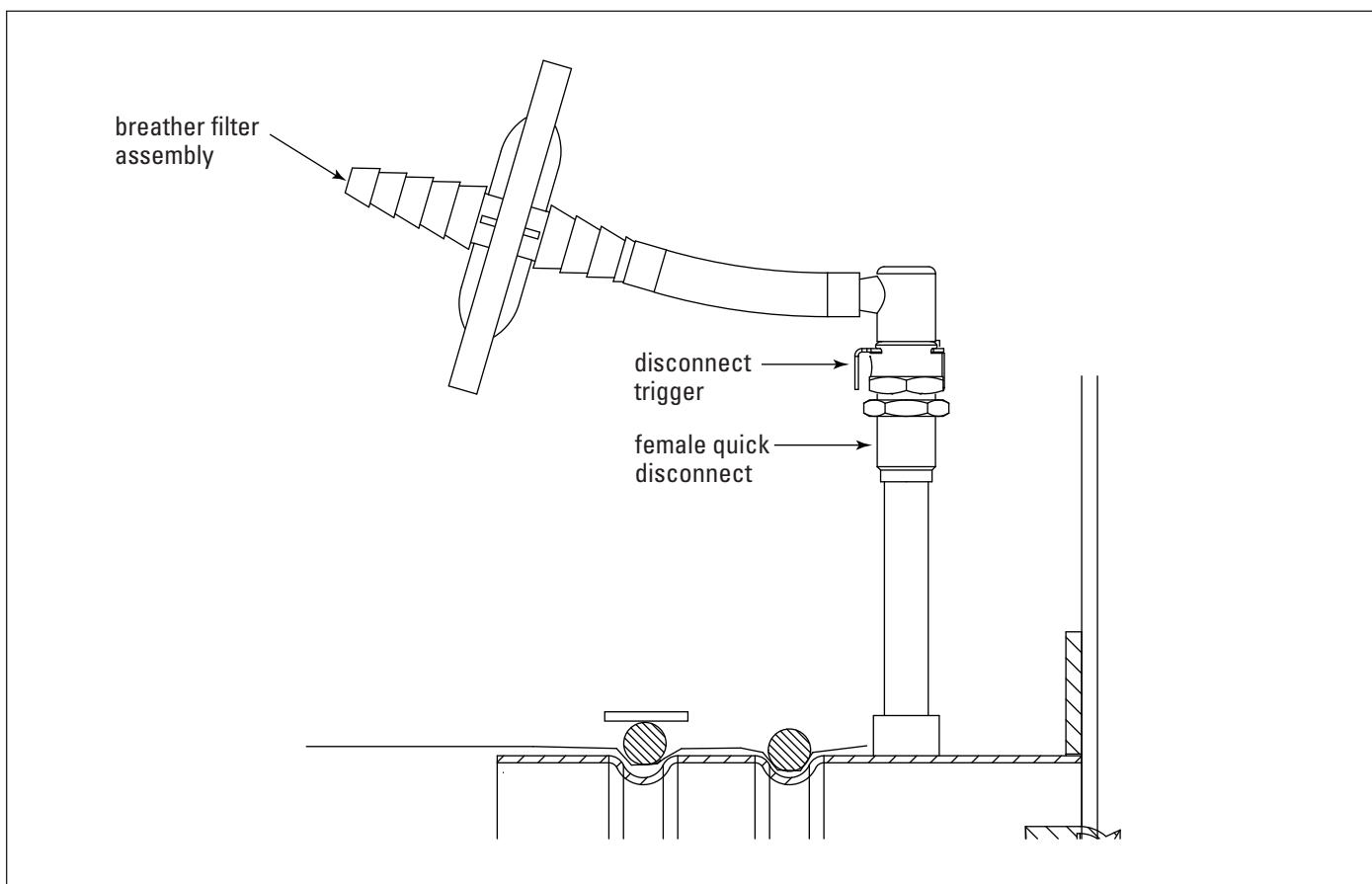


Bag Setup (Side View)

BIBO Collar Breather Installation

The BIBO collar breather provides a means for the air to escape during bag compression into the collar without breaking containment. Use the following procedure if replacement of the breather filter should become necessary.

1. Press on the metal trigger to release the breather filter and disconnect the assembly.
2. Remove and properly dispose of the breather filter.
3. Insert new breather filter in the female quick disconnect ensuring it is securely installed.



BIBO Collar Breather

Bag-Out

Bag out collars are available for capturing nuisance, non-hazardous dust that may fall from dirty filters during the filter change.

Note: This is not for contamination prevention or full containment purposes and is not a substitute for BIBO. Contact Donaldson Torit for selection assistance.

1. Turn off the power to the collector.
2. Begin filter replacement at one of the top filter access ports. Continue by replacing the remaining filters in the top row. Proceed to replace the filters in the next row.

Replacing the filters row by row starting at the top will help limit dusting during replacement.

3. Remove access cover by turning knob counterclockwise.



CAUTION Do not use the access cover features as climbing equipment. Use safe practices for maintenance and installation.

Do not drop filters.

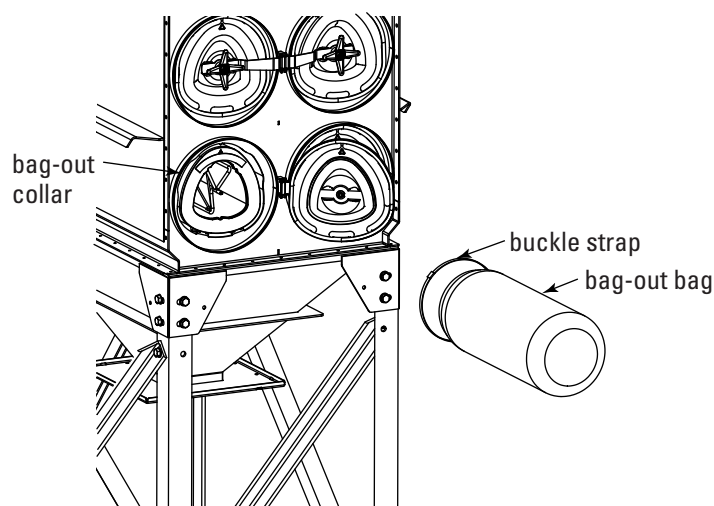
4. Break the seal between the filter cartridge and the sealing surface.

5. Place the bag out bag around collar surrounding port hole. Starting from the bottom of the collar, roll the bag opening over the edge of the collar. With both hands, move around the collar until the bag is in position all the way around the collar. Secure bag on collar with buckle strap.
6. Using the bag as a glove, pull the filter into the bag.
7. Remove the buckle strap securing the bag. Place it aside for use on the next bag. Support filter and bag when removing to prevent dust spilling. Properly dispose of bag with the filter inside of it.
8. Repeat steps 5-7 for second filter on suspension yoke.
9. Inspect and clean the sealing surface if necessary.

NOTICE

Clean dust from gasket dealing area to ensure a positive filter gasket seal.

10. Clean any dust from the yoke threads that may have accumulated during the filter removal.
11. Check for an accumulation of dust in the storage area and empty as necessary.
12. Follow filter installation instructions found in the Maintenance Information section of this manual.



Bag-Out

Hopper Bag-In/Bag-Out Installation

1. Place the BIBO hopper bag with plastic liner inside the 55-gallon drum. Position the liner upright inside the drum. It will expand and hold the bag securely to the inside of the 55-gallon drum.

Note: The 55-gallon drum is supplied by others.

2. Position the 55-gallon drum under the drum cover, attached to the hopper.
3. Draw the open end of the bag around the drum cover and through the drum cover clamp assembly. The bag will now be outside the drum cover but inside the drum cover clamp assembly.
4. Slide the open end of the bag around the collar adapter, which is located under the slide gate. Use the buckle strap to securely fasten the bag to the collar adapter.
5. Position the drum cover carefully on top of the 55-gallon drum.
6. Secure the 4 clamps of the drum cover clamp assembly to the drum by tightening the knobs. Make sure the clamps engage the top rim of the 55-gallon drum.

First Fit Bag-Out

Note: Turn pulse cleaning system OFF before using the hopper Bag-In/Bag-Out process.

1. Leaving the bag securely strapped to the collar adapter, loosen the four clamps on the drum cover clamp assembly.
2. Lift the ring and drum cover assembly up from the 55-gallon drum. A helper should hold the drum cover assembly out of the way.
3. Close and seal the bag near the drum using two cable ties placed approximately 2-inches apart. Cut the bag between the cable ties.
4. Remove the drum from under the hopper and properly dispose of drum and bag or bag only.
5. Loosen rubberized band clamp and pull liner system to desired length and place inside the 55-gallon drum. Retighten rubberized band clamp.

Product Information (Process Owner to complete and retain for your records)

Model Number _____	Serial Number _____
Ship Date _____	Installation Date _____
Filter Type _____	
Collected Dust _____	
Dust Properties: Kst _____	Pmax _____ MIE _____ MEC _____
Accessories _____	
Other _____	

Donaldson Industrial Air Filtration Warranty

Donaldson warrants to the original purchaser only that the Goods will be free from defects in material and manufacture for the applicable time periods stated below: (1) Major structural components for a period of ten (10) years from the date of shipment; (2) Non-Structural, Donaldson-built components and accessories including Donaldson Airlocks, TBI Fans, TRB Fans, Fume Collector products, Donaldson built electrical control components, and Donaldson-built Afterfilter housings for a period of twelve (12) months from date of shipment; and (3) Donaldson-built filter elements for a period of eighteen (18) months from date of shipment.

Buyer is solely responsible for determining if goods fit Buyer's particular purpose and are suitable for Buyer's process and application. Seller's statements, engineering and technical information, and recommendations are provided for the Buyer's convenience and the accuracy or completeness thereof is not warranted. If, after Seller receives written notice, within the warranty period, that any goods allegedly do not meet Seller's warranty, and Seller, in its sole discretion, determines that such claim is valid, Seller's sole obligation and Buyer's exclusive remedy for breach of the foregoing warranty or any Seller published warranty, will be, at Seller's option, either: (i) repair or replacement of such goods or (ii) credit or refund to Buyer for the purchase price from Seller. In the case of repair or replacement, Seller will be responsible for the cost of shipping the parts but not for labor to remove, repair, replace or reinstall the allegedly defective goods. Refurbished goods may be used to repair or replace the goods and the warranty on such repaired or replaced goods shall be the balance of the warranty remaining on the goods which were repaired or replaced. Any repair or rework made by anyone other than Seller is not permitted without prior written authorization by Seller, and voids the warranty set forth herein. Seller warrants to Buyer that it will perform services in accordance with the Sales Documents using personnel of required skill, experience and qualifications and in a professional and workmanlike manner in accordance with generally recognized industry standards for similar services. With respect to any services subject to a claim under the warranty set forth above, Seller shall, in its sole discretion, (i) repair or re-perform the applicable services or (ii) credit or refund the price of such services at the pro rata contract rate and such shall be Seller's sole obligation and the exclusive remedy for breach of the foregoing warranty on services. Products manufactured by a third party ("Third Party Product") may constitute, contain, be contained in, incorporated into, attached to or packaged together with, the goods. Buyer agrees that: (a) Third Party Products are excluded from Seller's warranty in this Section 7 and carry only the warranty extended by the original manufacturer, and (b) Seller's liability in all cases is limited to goods of Seller's design and manufacture only. EXCEPT FOR SELLER'S WARRANTY OF TITLE TO THE GOODS, SELLER EXPRESSLY DISCLAIMS AND EXCLUDES ALL OTHER WARRANTIES WHATSOEVER, WHETHER, EXPRESSED OR IMPLIED, ORAL, STATUTORY, OR OTHERWISE, INCLUDING BUT NOT LIMITED TO MERCHANTABILITY, FITNESS FOR A PARTICULAR PURPOSE, NON-INFRINGEMENT OF THIRD PARTY INTELLECTUAL PROPERTY AND ANY WARRANTIES ARISING FROM TECHNICAL ADVICE OR RECOMMENDATIONS, COURSE OF DEALING OR OF PERFORMANCE, CUSTOM OR USAGE OF TRADE. Seller's obligations do not cover normal wear and tear or deterioration, defects in or damage to any goods resulting from improper installation, accident or any utilization, maintenance, repair or modification of the goods, or any use that is inconsistent with Seller's instructions as to the storage, installation, commissioning or use of the goods or the designed capabilities of the goods or that, in its sole judgment, the performance or reliability thereof is adversely affected thereby, or which is subjected to abuse, mishandling, misuse or neglect or any damage caused by connections, interfacing or use in unforeseen or unintended environments or any other cause not the sole fault of Seller, and shall be at Buyer's expense. Seller's warranty is contingent upon the accuracy of all information provided by Buyer. Any changes to or inaccuracies in any information or data provided by Buyer voids this warranty. Seller does not warrant that the operation of the goods will be uninterrupted or error-free, that the functions of the goods will meet Buyer's or its customer's requirements unless specifically agreed to, or that the goods will operate in combination with other products selected by Buyer or Buyer's customer for its use.

The terms of this warranty may only be modified by a special warranty document signed by a Director, General Manager or Vice President of Donaldson. To ensure proper operational performance of your equipment, use only genuine Donaldson replacement parts.

This Product is provided subject to and conditioned upon Donaldson's Terms of Sale ("Terms"), a current copy of which is located at termsofsale.donaldson.com. These Terms are incorporated herein by reference. By purchasing or using this Product, the user accepts these Terms. The Terms are available on our website or by calling our customer service line at 1-800-365-1331.

Significantly improve the performance of your collector with genuine Donaldson Torit replacement filters and parts. **Call Donaldson Torit at 800-365-1331.**

Important Notice

Many factors beyond the control of Donaldson can affect the use and performance of Donaldson products in a particular application, including the conditions under which the product is used. Since these factors are uniquely within the user's knowledge and control, it is essential the user evaluate the products to determine whether the product is fit for the particular purpose and suitable for the user's application. All products, product specifications, availability and data are subject to change without notice, and may vary by region or country.



Donaldson Company, Inc.
Minneapolis, MN
donaldsonorit.com • shop.donaldson.com

North America
Email: donaldsonorit@donaldson.com
Phone: (USA): 800-365-1331 • (MX): 800-343-3639

Australasia
Email: marketing.australia@donaldson.com
Phone: +61 2 4350 2000
Toll Free: (AU) 1800 345 837 • (NZ) 0800 743 387

China IAF
Email: info.cn@donaldson.com
Phone: (86) 400-820-1038

Donaldson Europe B.V.B.A.
Email: IAF-europe@donaldson.com
Phone: + 32 (0) 16 38 38 11

India
Email: marketing.India@donaldson.com
Phone: +91 124 4807400
Toll Free: 18001035018

Latinoamerica
Email: IndustrialAir@donaldson.com
Phone: +52 449 300 2442

South Africa
Email: SAMarketing@donaldson.com
Phone: +27 11 997 6000

Southeast Asia IAF
Email: IAF.SEA@donaldson.com
Phone: (65) 63117373

IOM AG8259801(ENG), Revision 2 (September 2018) ©2014-2018 Donaldson Company, Inc. Donaldson, Torit, Downflo, Delta P, Delta P Plus, Fibra-Web, Ultra-Web, and the color blue are marks of Donaldson Company, Inc. All other marks belong to their respective owners.