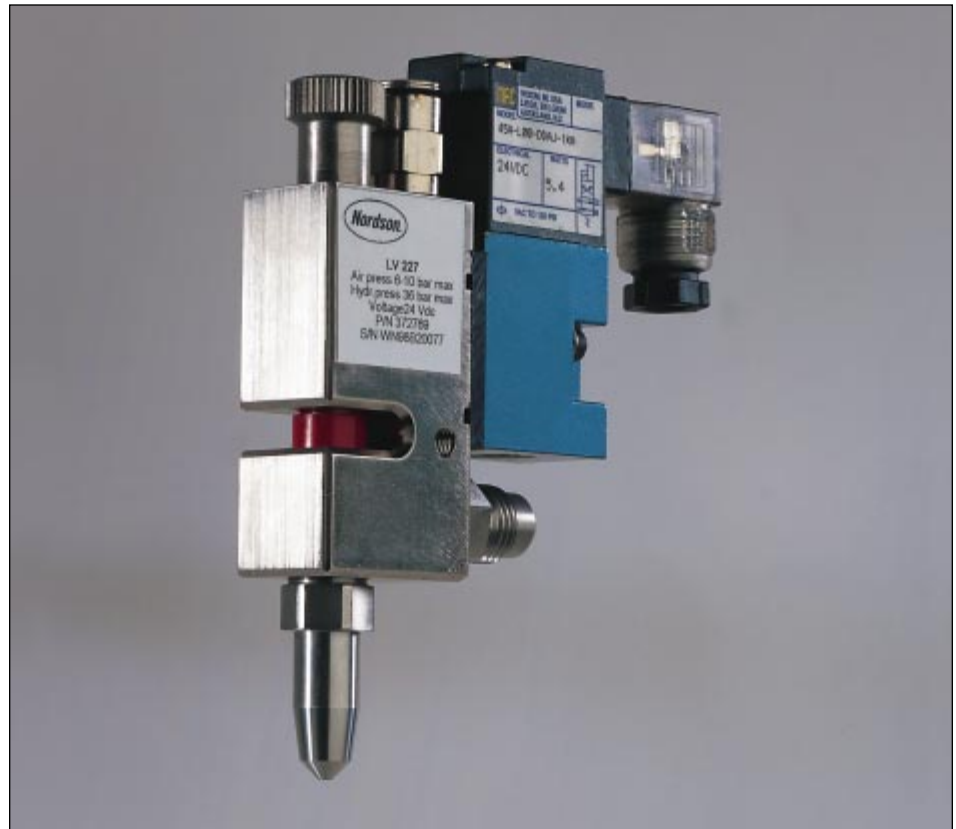


# Walcom™ LV 227 Pneumatic Gun



High-performance liquid adhesive gun provides precise cut-off and flow control for accurate bead deposition.



The Walcom LV 227 pneumatic bead gun from Nordson Corporation combines a zero-cavity needle design and fast air-open, air-close actuation that resist adhesive build-up and help prevent premature adhesive curing. An integrated needle-stroke adjustment permits accurate control of adhesive volume.

The compact gun delivers high-performance, non-contact operation with a cycle time of 13.5 milliseconds and a minimum service life of 25 million cycles.

It is ideal for high-viscosity liquid adhesives and high-pressure applications, including traymaking, beverage packing, and case and carton sealing.

## Innovative design improves control and pattern repeatability.

- Fast air-open, air-close gun actuation delivers clean cut-off.
- Zero-cavity needle helps prevent premature curing on the nozzle tip.
- Integrated needle-stroke adjustment allows control of adhesive volume for balanced output.
- Large control piston handles a wide range of adhesive viscosities and hydraulic pressures.
- Narrow body profile fits easily on most parent machinery.
- Wide selection of nozzle orifice diameters meets specific bead pattern requirements.

- Quick-disconnect air fitting and pre-mounted 24 VDC or 110 VAC solenoid provide superior performance and ease installation.
- Use of nickel-plated brass on all wetted components and a stainless-steel needle resist corrosion from aggressive liquid adhesives and help prolong gun life.
- Optional nozzle guard protects against premature adhesive curing when the gun is inactive.
- The gun complies with major approval codes worldwide, including CE and CUL.

# Walcom™ LV 227 Pneumatic Gun

## Specifications

<b>Working Hydraulic Pressure:</b>	48.7 bar (716 psi)
<b>Maximum Hydraulic Pressure:</b>	102 bar (1499 psi)
<b>Operating Air Pressure:</b>	6 bar (88 psi)
<b>Minimum Cycle Time:<sup>1</sup></b>	13.5 ms
<b>Nozzle Diameter Range:</b>	0.3 to 1.5 mm (0.012 to 0.059 in.)
<b>Connection Fitting:</b>	1/2-20 UNF
<b>Electrical Service:</b>	230 VAC, 50/60 Hz, 24 VDC or 110 VAC solenoid
<b>Weight:</b>	0.4 kg (0.88 lb)

**Notes:**

1. Cycle time based on an adhesive viscosity of 900 centipoise. Actual cycle time will vary depending on adhesive viscosity and characteristics. Nordson reserves the right to make design changes to products and components. These changes may occur between printings.

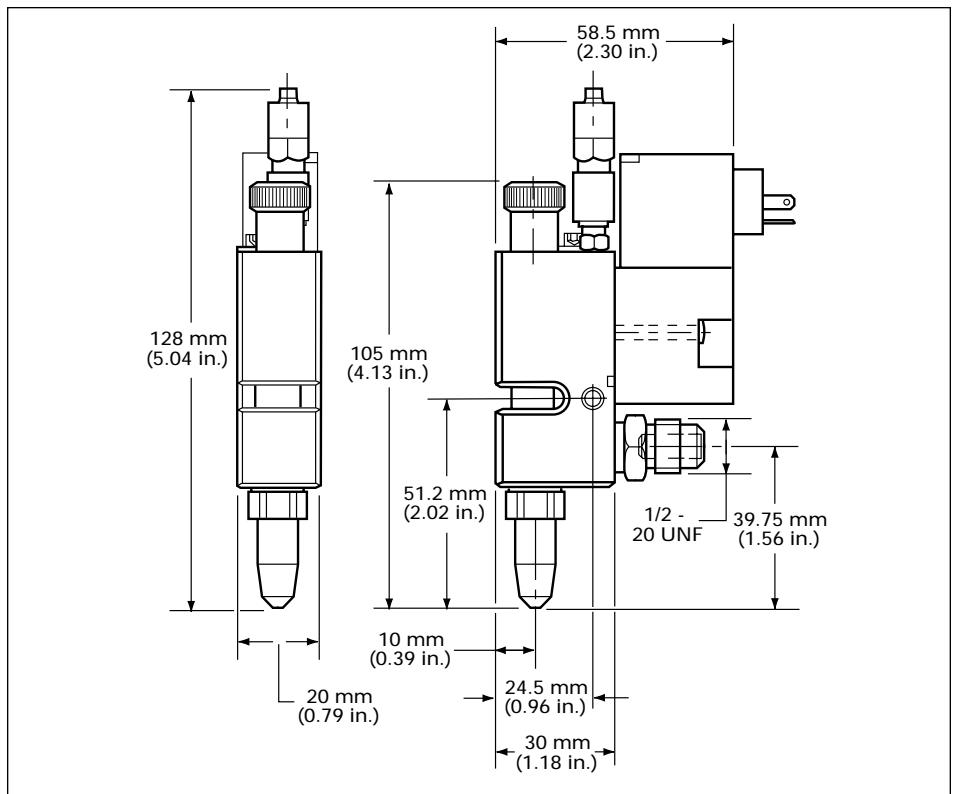


Zero-cavity nozzle delivers clean cut-off and pattern repeatability.



The compact LV 227 features a narrow body profile that fits easily on most parent machinery.

## Dimensions



For more information, talk with your Nordson representative or contact your Nordson regional office.

<b>United States</b> Duluth, Georgia Telephone: (800) 683-2314 Facsimile: (770) 497-3733	<b>Canada</b> Markham, Ontario Telephone: (905) 475-6730 Facsimile: (905) 475-8821	<b>Europe</b> Udenhout, The Netherlands Telephone: 31-13-5113775 Facsimile: 31-13-5113995	<b>Japan</b> Tokyo, Japan Telephone: 81-3-5762-2700 Facsimile: 81-3-5762-2701	<b>Asia/Australia/Latin America</b> Duluth, Georgia Telephone: (770) 497-3400 Facsimile: (770) 497-3588
---	---	--	--	--



Nordson Corporation • 11475 Lakefield Drive • Duluth, Georgia 30097-1511  
Internet: [www.nordson.com](http://www.nordson.com)