

Donaldson  
Torit®

## FT PULSE JET BAGHOUSE DUST COLLECTORS

MODELS FTD (WITHOUT WALK-IN PLENUM)  
AND FTP (WALK-IN PLENUM)

**ULTRA-WEB®**  
High Efficiency Fine Fiber Filters Built to Last

**DURA-LIFE™**  
Twice The Life Filter Bags



**144FTD6**  
Without Walk-In Plenum



**144FTP8**  
Walk-In Plenum

Easy and dependable operation for high-volume dust collection applications.

- Clean side bag removal provides easier bag filter service
- Optional walk-in plenum allows for bag filter servicing in adverse weather conditions (FTP)
- All welded construction provides increased durability and air/water integrity
- Integral fan option helps to reduce space requirements
- Collectors with up to 225 bag filters require only one dirty air inlet, one clean air outlet, and one hopper, resulting in reduced ducting and hopper outlet costs

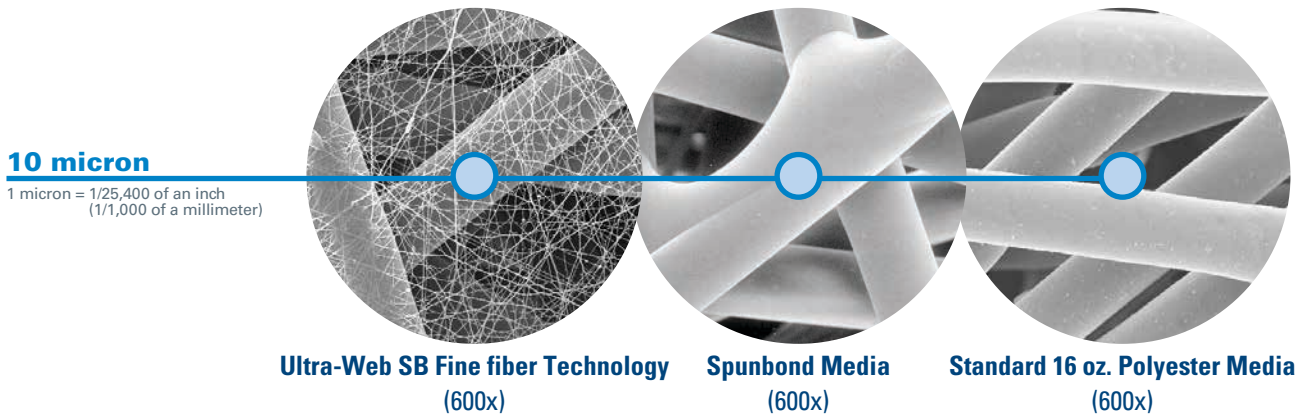
# TWO BREAKTHROUGH FILTER OPTIONS FOR YOUR FT BAGHOUSE

## DURA-LIFE FILTER BAGS PROVIDE TWICE THE LIFE OVER STANDARD 16 OZ POLYESTER BAGS

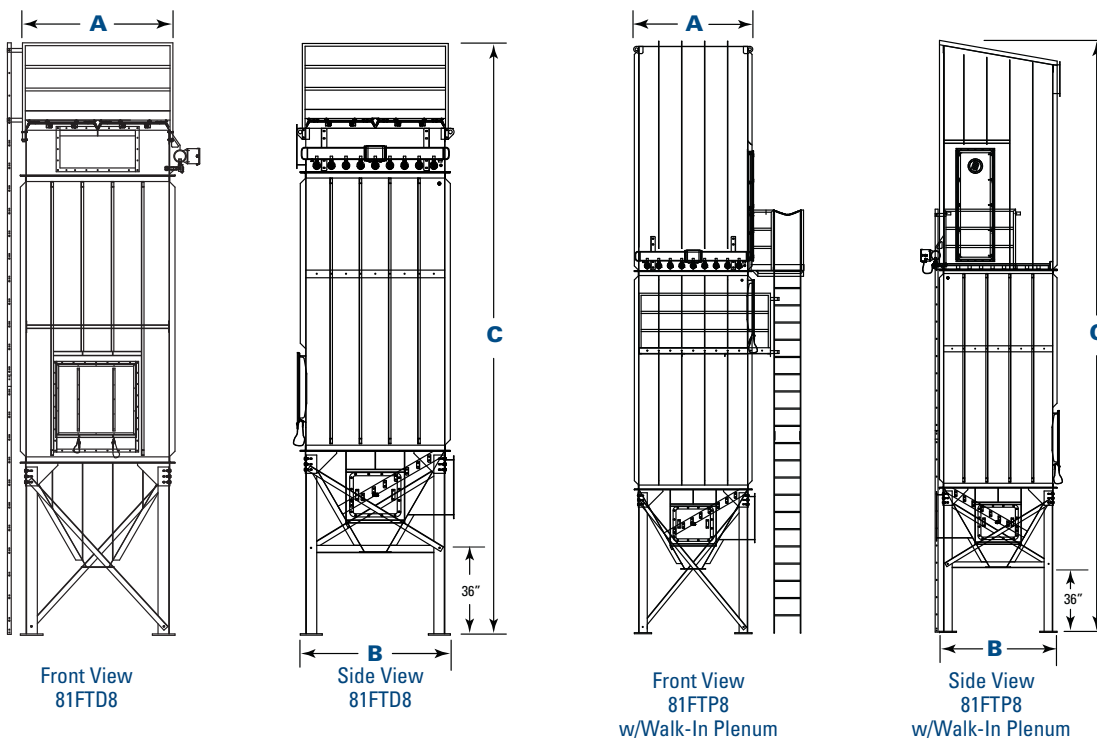
Traditional 16 oz polyester bags are produced via a needling process that creates larger pores where dust can embed into the fabric, inhibiting cleaning and reducing bag life. Dura-Life bags are engineered with a unique hydroentanglement process that uses water jets to blend the fibers. This process creates a felt with smaller pores which keeps more dust on the surface of the filter resulting in better pulse cleaning and longer bag life.

## PLEATED BAGS WITH ULTRA-WEB SB PROVIDE LONGER LIFE AND REDUCED EMISSIONS

For more than two decades, Donaldson Torit has advanced the proven Ultra-Web fine fiber technology. Ultra-Web provides a very fine, continuous fiber of 0.2-0.3 micron in diameter to form a web-like net that traps dust on the surface of the media. Combining Ultra-Web technology with a sturdy spunbond polyester substrate, Ultra-Web SB pleated bag filters provide longer life, reduced downtime and reduced emissions.



## Dimensions & Specifications



## DIMENSIONS & SPECIFICATIONS

Model	Nominal Airflow Range*		Cloth Area		Length of Bag Filters		FTD Shipping Weight		FTP Shipping Weight		FTD Dimensions						FTP Dimensions					
	cfm	m³/h	ft²	m²	ft	m	lb	kg	lb	kg	A		B		C		A		B		C	
											in	mm	in	mm	in	mm	in	mm	in	mm	in	mm
9FT4	240 - 600	408 - 1,019	60	5.6	4	1.2	1,300	589.7	—	—	30	762.0	30	762.0	163	762.0	—	—	—	—	—	—
9FT6	360 - 900	612 - 1,529	90	8.4	6	1.8	1,400	635.0	—	—	30	762.0	30	762.0	187	762.0	—	—	—	—	—	—
9FT8	480 - 1,200	815 - 2,038	120	11.1	8	2.4	1,500	680.4	—	—	30	762.0	30	762.0	211	762.0	—	—	—	—	—	—
16FT4	428 - 1,070	727 - 1,818	107	9.9	4	1.2	1,600	725.7	—	—	38	965.2	38	965.2	170	965.2	—	—	—	—	—	—
16FT6	640 - 1,600	1,087 - 2,718	160	14.9	6	1.8	1,800	816.5	—	—	38	965.2	38	965.2	194	965.2	—	—	—	—	—	—
16FT8	852 - 2,130	1,447 - 3,618	213	19.8	8	2.4	1,900	861.8	—	—	38	965.2	38	965.2	218	965.2	—	—	—	—	—	—
25FT4	688 - 1,670	1,169 - 2,837	167	15.5	4	1.2	1,900	861.8	—	—	46	1168.4	46	1168.4	177	1168.4	—	—	—	—	—	—
25FT6	1,000 - 2,500	1,699 - 4,247	250	23.2	6	1.8	2,100	952.5	—	—	46	1168.4	46	1168.4	201	1168.4	—	—	—	—	—	—
25FT8	1,322 - 3,330	2,246 - 5,657	333	30.9	8	2.4	2,300	1043.3	—	—	46	1168.4	46	1168.4	225	1168.4	—	—	—	—	—	—
36FT4	960 - 2,400	1,631 - 4,077	240	22.3	4	1.2	2,200	997.9	—	—	54	1371.6	54	1371.6	184	1371.6	—	—	—	—	—	—
36FT6	1,440 - 3,600	2,446 - 6,115	360	33.4	6	1.8	2,400	1088.6	—	—	54	1371.6	54	1371.6	208	1371.6	—	—	—	—	—	—
36FT8	1,920 - 4,800	3,261 - 8,154	480	44.6	8	2.4	2,700	1224.7	—	—	54	1371.6	54	1371.6	232	1371.6	—	—	—	—	—	—
49FT4	1,308 - 3,270	2,222 - 5,555	327	30.4	4	1.2	2,600	1179.3	—	—	62	1574.8	62	1574.8	191	1574.8	—	—	—	—	—	—
49FT6	1,960 - 4,900	3,329 - 8,323	490	45.5	6	1.8	2,900	1315.4	—	—	62	1574.8	62	1574.8	215	1574.8	—	—	—	—	—	—
49FT8	2,612 - 6,530	4,437 - 11,092	653	60.7	8	2.4	3,200	1451.5	—	—	62	1574.8	62	1574.8	239	1574.8	—	—	—	—	—	—
64FT6	2,560 - 6,400	4,349 - 10,871	640	59.5	6	1.8	3,400	1542.2	—	—	70	1778.0	70	1778.0	222	1778.0	—	—	—	—	—	—
64FT8	3,412 - 8,530	5,796 - 14,489	853	79.2	8	2.4	3,800	1723.7	—	—	70	1778.0	70	1778.0	246	1778.0	—	—	—	—	—	—
64FT10	4,264 - 10,660	7,243 - 18,108	1066	99.0	10	3.0	4,100	1859.7	—	—	70	1778.0	70	1778.0	271	1778.0	—	—	—	—	—	—
81FT8	4,320 - 10,800	7,338 - 18,345	1080	100.3	8	2.4	5,750	2608.2	6,750	3061.7	82	2082.8	82	2082.8	265	2082.8	82	2082.8	82	2082.8	304.1	7724.1
81FT10	5,400 - 13,500	9,173 - 22,932	1350	125.4	10	3.0	6,250	2835.0	7,500	3401.9	82	2082.8	82	2082.8	289	2082.8	82	2082.8	82	2082.8	352.1	8943.3
100FT8	5,332 - 13,330	9,057 - 22,643	1333	123.8	8	2.4	6,500	2948.4	7,500	3401.9	90	2286.0	90	2286.0	272	2286.0	90	2286.0	90	2286.0	317.5	8064.5
100FT10	6,668 - 16,670	11,327 - 28,316	1667	154.9	10	3.0	7,000	3175.1	8,500	3855.5	90	2286.0	90	2286.0	296	2286.0	90	2286.0	90	2286.0	365.5	9283.7
121FT8	6,452 - 16,130	10,960 - 27,399	1613	149.8	8	2.4	7,500	3401.9	8,750	3968.9	98	2489.2	98	2489.2	280	2489.2	98	2489.2	98	2489.2	324.6	8244.8
121FT10	8,068 - 20,170	13,705 - 34,262	2017	187.4	10	3.0	8,250	3742.1	9,750	4422.5	98	2489.2	98	2489.2	304	2489.2	98	2489.2	98	2489.2	372.6	9464.0
144FT8	7,680 - 19,200	13,046 - 32,614	1920	178.4	8	2.4	8,250	3742.1	9,750	4422.5	106	2692.4	106	2692.4	287	2692.4	106	2692.4	106	2692.4	329.6	8371.8
144FT10	9,600 - 24,000	16,307 - 40,768	2400	223.0	10	3.0	9,000	4082.3	11,000	4989.5	106	2692.4	106	2692.4	311	2692.4	106	2692.4	106	2692.4	377.6	9591.0
169FT8	9,012 - 22,530	15,308 - 38,271	2253	209.3	8	2.4	9,250	4195.7	10,750	4876.1	114	2895.6	114	2895.6	294	2895.6	114	2895.6	114	2895.6	342.9	8709.7
169FT10	11,268 - 28,170	19,140 - 47,851	2817	261.7	10	3.0	10,000	4535.9	12,000	5443.1	114	2895.6	114	2895.6	318	2895.6	114	2895.6	114	2895.6	390.9	9928.9
196FT8	10,452 - 26,130	17,754 - 44,386	2613	242.7	8	2.4	10,250	4649.3	11,750	5329.7	122	3098.8	122	3098.8	301	3098.8	122	3098.8	122	3098.8	349.8	8884.9
196FT10	13,068 - 32,670	22,198 - 55,495	3267	303.5	10	3.0	11,000	4989.5	13,250	6010.1	122	3098.8	122	3098.8	325	3098.8	122	3098.8	122	3098.8	397.8	10104.1
225FT8	12,000 - 30,000	20,384 - 50,960	3000	278.7	8	2.4	11,250	5102.9	13,500	6123.5	130	3302.0	130	3302.0	308	3302.0	130	3302.0	130	3302.0	358.2	9098.3
225FT10	15,000 - 37,500	25,480 - 63,699	3750	348.4	10	3.0	12,250	5556.5	15,000	6803.9	130	3302.0	130	3302.0	332	3302.0	130	3302.0	130	3302.0	406.2	10317.5

\* Based on clean bag filters.

## STANDARD FEATURES & AVAILABLE OPTIONS

COLLECTOR DESIGN	STD	OPT	HOPPER DESIGN	STD	OPT
Clean-Side Bag Removal	X		60° Pyramid Hopper	X	
All-Welded, Carbon Steel Construction, 12 Gauge	X		Flanged Dirty Air Inlet	X	
Heavy-Duty 3/16-in (4 4/5-mm) Plate Tubesheet	X		Inlet Deflector	X	
Rated 17-inch (431.8-Millimeter) Water Gauge	X		Flanged Hopper Discharge	X	
Compressed Air Manifold with Drain	X		Hopper Access Panel	X	
Flanged Clean Air Outlet	X		Coupling for High Level Indicator	X	
High Performance Venturis	X		High Level Indicator		X
Easy-Lift Lifting Ears	X		<b>HOPPER DISCHARGE</b>		
Walk-In Clean Air Plenum with 10° Sloped Roof (FTP)	X		Dumpster Discharge with Pneumatic Lid and Controls		X
Service Railing on Top of Collector (FTD)	X		Rack and Pinion Gate		X
Integrated Exhaust Weatherhood		X	55-Gallon (208.2-Liter) Drum Cover		X
Stainless Steel Construction		X	Various Rotary Valve Options		X
Mountable Direct Drive Fans with Outlet Hood and Birdscreen with NEMA Premium** Efficient Motor		X	<b>SUPPORT STRUCTURE†</b>		
High Performance Fan Silencer		X	36" (914.4 mm) Clearance Leg Pack		X
Slide Gate Fan Damper		X	Custom Clearance Leg Packs		X
Ladder and Platform Assemblies		X	<b>ELECTRICAL CONTROLS, GAUGES &amp; ENCLOSURES</b>		
<b>BAGS &amp; CAGES</b>			Goyen Diaphragm Valves	X	
Dura-Life Twice the Life Polyester Snap-In Bag Filters	X		120V Timerboard and Solenoid Valves in NEMA 4 Enclosure	X	
Galvanized Cages	X		Magnehelic*** Gauge	X	
Ultra-Web® SB Pleated Bags		X	Photohelic*** Gauge		X
Variety of Bag Media Options		X	Photohelic® Gauge (Weatherproof)		X
<b>PAINT SYSTEM</b>			Delta P Control Panel without Timer		X
Prime Coated Interior	X		<b>SAFETY FEATURES</b>		
Durable Industrial Finish Exterior	X		4"x4" (101.6 x 101.6 mm) Bag Safety Grid (bin vent units only)	X	
Standard Colors: Torit Blue or Storm White	X		Sprinkler Access Ports		X
Special Colors		X	Sprinkler Pack Assembly		X
			Explosion Vents		X
			Ladder Safety System		X
			<b>WARRANTY</b>		
			10-Year Warranty	X	

\* All 60 Hz motors 1 HP and above are EISA compliant and considered NEMA Premium\* per Table 12-12. NEMA Premium is a registered trademark of National Electrical Manufacturers Association.  
 \*\* Magnehelic and Photohelic are registered trademarks of Dwyer Instruments, Inc.  
 † Donaldson Torit equipment is designed to IBC guidelines for specific wind speed exposure and seismic spectral acceleration at grade level. Contact your Donaldson Torit representative for detailed information available on the equipment's Spec Control drawings. Equipment may be customized to meet unique, customer-specified site requirements.

Significantly improve the performance of your collector with genuine Donaldson Torit replacement filters and parts. **Call Donaldson Torit at 800-365-1331.**

**Important Notice**

Many factors beyond the control of Donaldson can affect the use and performance of Donaldson products in a particular application, including the conditions under which the product is used. Since these factors are uniquely within the user's knowledge and control, it is essential the user evaluate the products to determine whether the product is fit for the particular purpose and suitable for the user's application. All products, product specifications, availability and data are subject to change without notice, and may vary by region or country.



Donaldson Company, Inc.  
 Minneapolis, MN  
[donaldson.com](http://donaldson.com) • [shop.donaldson.com](http://shop.donaldson.com)

**North America**  
 Email: [donaldson@donaldson.com](mailto:donaldson@donaldson.com)  
 Phone: (USA): +1-800-365-1331 • (MX): +1-800-343-36-39

**Australasia**  
 Email: [marketing.australia@donaldson.com](mailto:marketing.australia@donaldson.com)  
 Phone: +61-2-4350-2000  
 Toll Free: (AU) +1800-345-837 • (NZ) +0800-743-387

F118146 ENG (02/20) FT Pulse Jet Baghouse ©2011-2020 Donaldson Company, Inc.

Donaldson, Torit, Dura-Life, Ultra-Web and the color blue are marks of Donaldson Company, Inc. All other marks belong to their respective owners.

**China**  
 Email: [info.cn@donaldson.com](mailto:info.cn@donaldson.com)  
 Phone: +86-400-820-1038

**Donaldson Europe B.V.B.A.**  
 Email: [IAF-europe@donaldson.com](mailto:IAF-europe@donaldson.com)  
 Phone: +32-16-38-3811

**India**  
 Email: [info.difs@donaldson.com](mailto:info.difs@donaldson.com)  
 Phone: +91-124-4807-400 • +18001035018

**Japan**  
 Email: [jp-ndi.ifsweb@donaldson.com](mailto:jp-ndi.ifsweb@donaldson.com)  
 Phone: +81-42-540-4112

**Korea**  
 Email: [iaf-kr@donaldson.com](mailto:iaf-kr@donaldson.com)  
 Phone: +82-2-517-3333

**Latinoamerica**  
 Email: [IndustrialAir@donaldson.com](mailto:IndustrialAir@donaldson.com)  
 Phone: +52-449-300-2442

**South Africa**  
 Email: [SAMarketing@donaldson.com](mailto:SAMarketing@donaldson.com)  
 Phone: +27-11-997-6000

**Southeast Asia**  
 Email: [IAFSEA@donaldson.com](mailto:IAFSEA@donaldson.com)  
 Phone: +65-6311-7373