

752V-DVD Diaphragm Valve

Controlled, bubble-free dispensing for bonding and lacquer coating



The 752V-DVD valve system is specifically designed for precise dispensing of UV-cure resins and similar fluids used in media manufacturing of DVDs and CDs. Unrestricted material flow reduces turbulence and the formation of bubbles.

Features and Benefits

- Positive shutoff, no seals
- Valve open time as short as 15 milliseconds
- Cycle rate exceeds 500/minute
- Stainless steel valve head
- Tamper-resist stroke control adjustment
- Compact and lightweight
- Low-maintenance design

Air cylinder body assembly is hard-coat anodized aluminum.

Item	Product
7021411	752V-DVD Valve



more info



Specifications

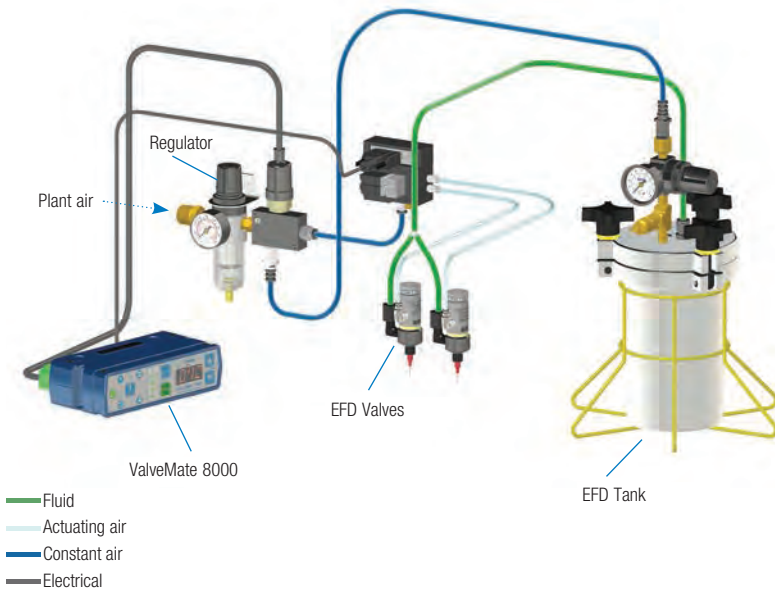
Item	Product
Size	76.3L x 26.9DIA mm (3.00L x 1.06DIA")
Weight	172.9 g (6.1 oz)
Actuating air pressure required	4.8–6.2 bar (70–90 psi)
Maximum fluid pressure	4.8 bar (70 psi)
Fluid inlet	1/8 NPT female
Fluid outlet	1/4-28 UNF
Mounting	(1) 10-32 UNF tapped hole
Cycle rate	Exceeds 500 per minute
Air cylinder body	Hard-coated anodized aluminum
Fluid body	Type 303 stainless steel
Piston	303 stainless steel
Diaphragm	FDA approved UHMW polyethylene or PTFE
Tip adapter	Polypropylene
Tip retaining nut	Aluminum
Maximum operating temperature	43° C (110° F)
Warranty	1 year, limited

All stainless steel parts are passivated.
 *Ultra High Molecular Weight polyethylene

Diaphragm Valve Systems

The complete system includes the 752V-DVD dispense valve, ValveMate™ 8000 controller, the fluid reservoir and dispense tip.

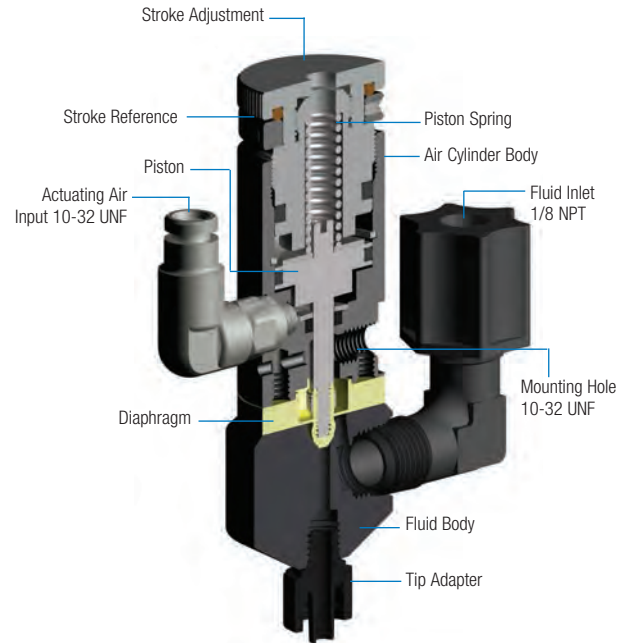
Expert technical assistance and high quality standards ensure productive, trouble-free performance. EFD offers a full line of reliable dispensing systems to meet your specific application requirements.



752V-DVD Series Valves

The 752V-DVD dispense valve incorporates an inert polymer diaphragm that isolates the actuator from the valve and provides very fine flow control for all low to medium viscosity fluids. The unique design of the 752V-DVD valve provides quick valve ON/OFF and the ability to rapidly obtain maximum flow rates.

Amount dispensed depends on valve open time, fluid pressure, fluid viscosity, flow adjustment and tip size.



ValveMate 8000 Controller

Valve open time is the primary control of deposit size. The ValveMate controller puts push-button adjustment of valve open time where it needs to be — at the valve.

- Multi-valve control- up to (4) valves
- Partner to Programmable Logic Controller (PLC)
- Easy deposit size control
- Increased production output
- End user convenience
- On-the-fly adjustability
- Maximum machine efficiency

Automated Dispensing Systems

Nordson EFD offers a wide range of automated systems that are fully compatible with the 752V-DVD Series valve. Our automated systems offer consistent, accurate, and repeatable performance, making even the most complex dispensing applications easy. Get simplified setup and programming plus optimized dispensing results from features such as laser height sensing and fully integrated CCD cameras, or specify inline systems designed for larger products.

Fluid Reservoirs

Nordson EFD reservoirs are supplied with precision, constant bleed regulators to ensure consistent fluid pressure to the valve. Tank reservoirs are available in 1.0, 5.0, and 19.0 liter capacities. Optimum® systems are available with 2.5 oz to 32 oz (75 ml to 950 ml) cartridges and retainers.

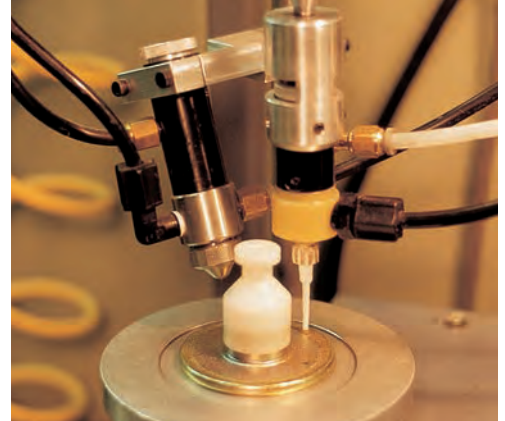
Note: The 1.0 liter tank accepts a 1 lb bottle of cyanoacrylate.

Dispense Tips

Tip selection is critical to achieve optimum valve performance. 752V Series valves are packaged with a dispensing tip kit for maximum fluid control. The kit includes SmoothFlow™ tapered tips in sizes from 14 to 25 gauge, precision stainless steel tips in sizes from 14 to 21 gauge, and tip caps.



752V bonding DVD's with UV-cure Resins.



752 and 780 adhesive and activator on speaker magnet assembly.

Request a Process Evaluation

Contact Nordson EFD to configure a precision dispense system that meets your specific needs, with:

- A complimentary process evaluation by experienced fluid dispensing experts.
- Samples processed for customer evaluation and approval prior to purchase.

800-556-3484; info@nordsonefd.com

Connect with us



For Nordson EFD sales and service in over 40 countries, contact Nordson EFD or go to www.nordsonefd.com.

Global

800-556-3484; +1-401-431-7000
info@nordsonefd.com

Europe

00800 7001 7001
infoefd.europe@nordsonefd.com

Asia

China: +86 (21) 3866 9006; china@nordsonefd.com
India: +91 80 4021 3600; india@nordsonefd.com
Japan: +81 3 5762 2760; japan@nordsonefd.com
Korea: +82-31-736-8321; korea@nordsonefd.com
SEAsia: +65 6796 9522; sin-mal@nordsonefd.com

©2021 Nordson Corporation v090721