

# 754V Series Aseptic Valve

Compact diaphragm valve for aseptic and sterile fluid applications



754V-SS valve filling contact lens packages with saline solution.

The 754V-SS aseptic dispense valve system accurately controls the application of most low to medium viscosity fluids. The sealless design incorporates an inert PTFE diaphragm that isolates the actuator from the valve.

The unique design of the 754V-SS provides a fluid flow path free of any entrapment areas, critical for sterile and aseptic fluid applications. Wetted parts are 316L stainless steel and PTFE, which are suitable for CIP (clean in place) and SIP (sterilize in place) processes.

Flow volumes range from 0.5 microliter deposits to a continuous flow rate of 14.0 ml/s (H<sub>2</sub>O at 30 psi pressure). The valve closes after each cycle with a fast, clean cut-off that eliminates drips.

The 754V-SS valve is used with ValveMate 8000 controllers or automated dispensing system for precise, repeatable outputs of low to medium viscosity fluids.

## Features

- Compact size and weight
- Adjustable fluid flow control
- Positive shutoff, no seals
- Tamper-resistant design
- FDA-compliant wetted parts
- Diaphragm life exceeds 1x10<sup>8</sup>
- Stainless steel cylinder body
- Exceeds 500 cycles per minute

## Benefits

- Accurate, consistent shot size
- Easy to clean or sterilize in place
- Low maintenance
- Clean cutoff eliminates drips
- Simple to set up and operate

Part #	Description
7021514	754V-SS Valve

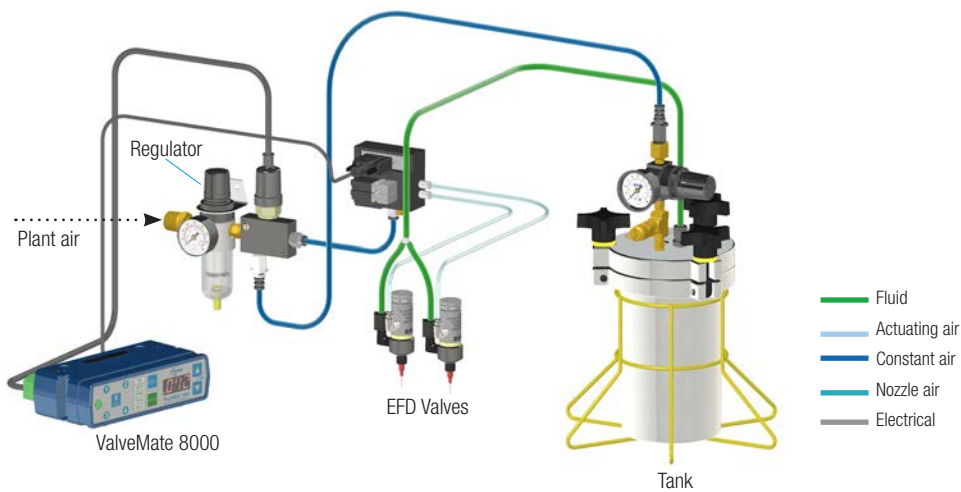
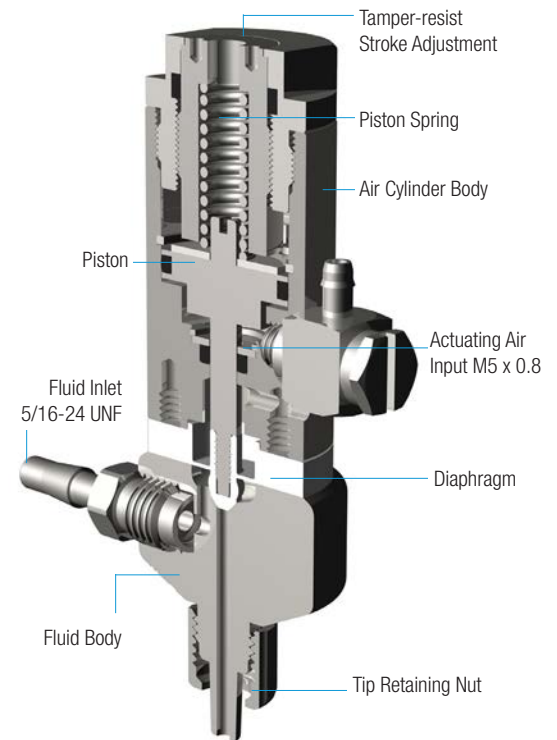


more info



## Specifications

Item	Specification
Size	77.5L x 26.9DIA mm (3.05L x 1.06DIA")
Weight	193.3 g (6.8 oz)
Actuating air pressure required	4.8–6.2 bar (70–90 psi)
Maximum fluid pressure	4.8 bar (70 psi)
Fluid inlet	5/16-24 UNF
Fluid outlet	Male luer lock
Mounting	None
Cycle rate	Exceeds 500 per minute
Air cylinder body	316L stainless steel
Fluid body	316L stainless steel
Piston	316L stainless steel
Diaphragm	PTFE
Tip retaining nut	316L stainless steel
Maximum operating emperature	43° C (110° F) Autoclaving: 260° C (500° F)
Warranty	1 year, limited



## ValveMate 8000 Controller

Valve open time is the primary control of deposit size. The ValveMate controller puts push-button adjustment of valve open time where it needs to be — at the valve.

- Multi-valve control—up to (4) valves
- Partner to Programmable Logic Controller (PLC)
- Easy deposit size control
- Increased production output
- End user convenience
- Maximum machine efficiency

## Select Your Controller

See the Valve Selection Guide for the controllers compatible with this valve — [www.nordsonefd.com/ValveGuide](http://www.nordsonefd.com/ValveGuide).

## Automated Dispensing Systems

Nordson EFD automated dispensing systems deliver market-leading repeatability and accuracy in fluid placement and positioning. Specialized dispensing software simplifies setup and programming. Optimize dispensing results with features such as laser height sensing and smart vision CCD cameras.

## Fluid Reservoirs

Nordson EFD reservoirs are supplied with precision, constant-bleed regulators to ensure consistent fluid pressure to the valve. Tank reservoirs are available in 1.0, 5.0 and 19.0 liter capacities. Cartridge sizes range from 2.5 to 32 ounces (75cc to 950cc).

## Dispense Tips

The correct tip selection is very important to achieve proper performance of dispense valves.

The 754V-SS valves are packaged with a dispensing kit for maximum flow control. The kit includes smooth-flow tapered tips in sizes ranging from 14 to 25 gauge, precision stainless steel tips in sizes ranging from 14 to 21 gauge, and sealing tip caps.

## Request a Process Evaluation

Contact Nordson EFD to configure a precision dispense system that meets your specific needs, with:

- A complimentary process evaluation by experienced fluid dispensing experts
- Samples processed for customer evaluation and approval prior to purchase



754V-SS valve dispensing fluid into vials.



For Nordson EFD sales and service in over 40 countries, contact Nordson EFD or go to [www.nordsonefd.com](http://www.nordsonefd.com).

### Global

800-556-3484; +1-401-431-7000  
[info@nordsonefd.com](mailto:info@nordsonefd.com)

### Europe

00800 7001 7001  
[infoefd.europe@nordsonefd.com](mailto:infoefd.europe@nordsonefd.com)

### Asia

China: +86 (21) 3866 9006; [china@nordsonefd.com](mailto:china@nordsonefd.com)  
India: +91 80 4021 3600; [india@nordsonefd.com](mailto:india@nordsonefd.com)  
Japan: +81 03 5762 2760; [japan@nordsonefd.com](mailto:japan@nordsonefd.com)  
Korea: +82-31-736-8321; [korea@nordsonefd.com](mailto:korea@nordsonefd.com)  
SEAsia: +65 6796 9522; [sin-mal@nordsonefd.com](mailto:sin-mal@nordsonefd.com)

©2022 Nordson Corporation v061622