

Radial Spinner System

An efficient, cost-effective way to apply production fluids inside cylindrical parts.

Anaerobics Cyanoacrylates Lubricants Silicone Oils Solvents



Electronic pdf files of Nordson EFD manuals are also available at www.nordsonefd.com

Nordson EFD's radial spinner system makes it easy to apply neat, consistent bands of low-to medium-viscosity fluids inside cylindrical parts between 10 mm and 127 mm (0.4 in. and 5 in.) in diameter.

Compact size and precise control make the radial spinner system ideal for processes where fluid must be applied inside small cylinders or confined to specific locations and kept off surrounding areas. Inert wetted parts make the system ideal for use with reactive fluids like cyanoacrylates and anaerobic adhesives.

The radial spinner system includes a precision dispense valve, air motor, bracket, valve/motor controller, disc assembly and dispense tip. Disks and tips are available in different sizes to meet a wide variety of applications.

During operation, the valve dispenses a controlled amount of fluid onto the spinning tapered disk. As the fluid leaves the edge of the disk, it is distributed as a narrow, even band on the wall of the part.

Benefits

- Applies correct amount on every part
- Applies material in correct location
- Keeps material off unwanted areas
- Eliminates waste, mess and rework
- Improves product performance and appearance
- Low-maintenance design reduces downtime
- Operates in vertical or horizontal position

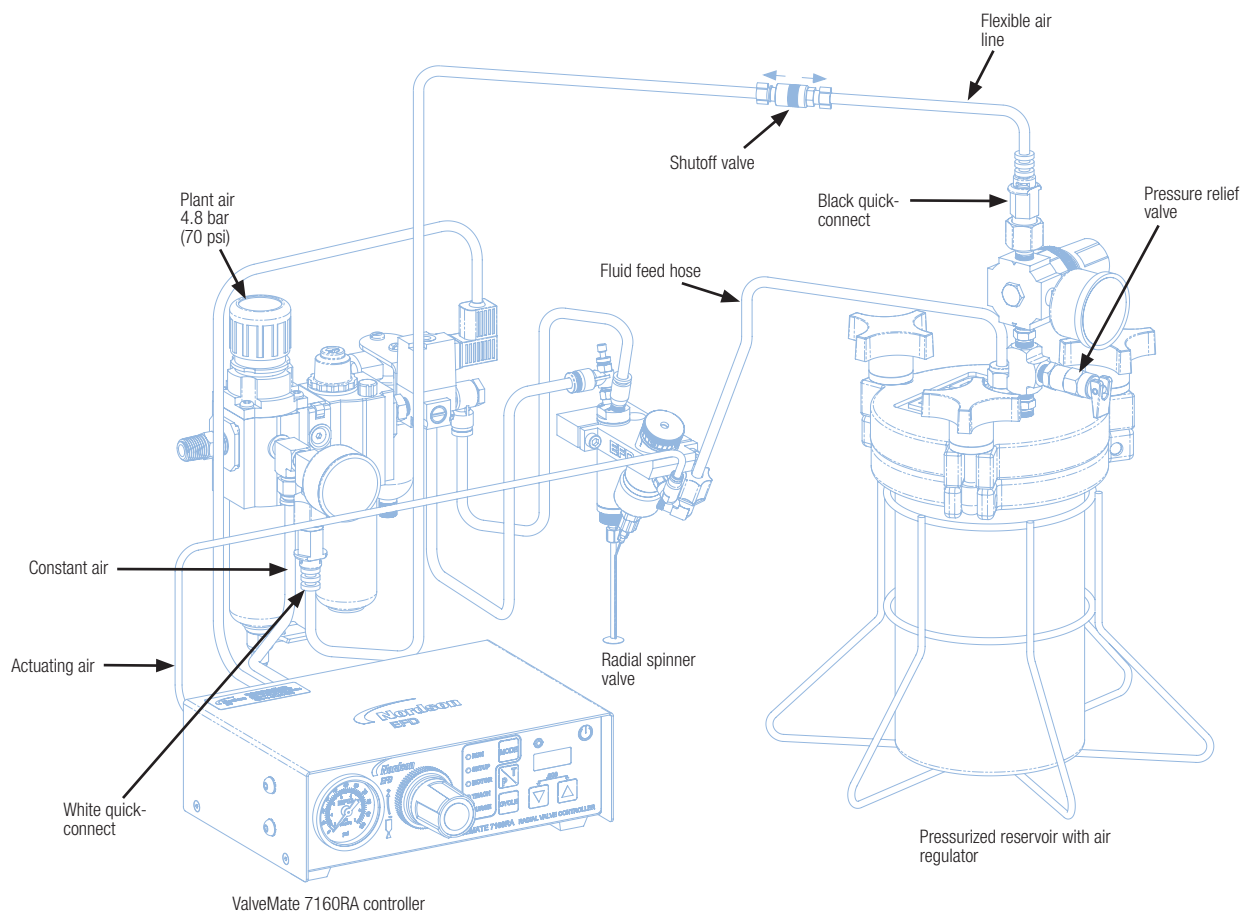


more info

Nordson
EFD

7860C-RS Air Motor/ Bracket Assembly

Bracket holds air motor and positions dispense valve at correct angle.



Radial Spinner/Disc

7021842 / 7021843 (0.354 in.)

7021838 / 7021839 (0.590 in.)

7021836 / 7021837 (0.473 in.)

7021840 / 7021841 (0.745 in.)

752V-UHSS Dispense Valve

Precision diaphragm valve has inert, non-reactive wetted parts. Low-maintenance design has no seals or O-rings to wear out or leak and is rated for 100,000,000 cycles.

Dispensing Tips

Precision tips feature EFD SafetyLok hubs for secure attachment and polished 1-1/2 in. stainless steel needles for unobstructed fluid flow.

7021846 18 gauge needle — 30 degree bend, 20/box

7160RA Radial System Controller

Controls operation of the air motor and dispense valve.



For Nordson EFD sales and service in over 40 countries, contact Nordson EFD or go to www.nordsonefd.com.

Global

800-556-3484; +1-401-431-7000
info@nordsonefd.com

Europe

00800 7001 7001
infoefd.europe@nordsonefd.com

Asia

China: +86 (21) 3866 9006; china@nordsonefd.com
India: +91 80 4021 3600; india@nordsonefd.com
Japan: +81 03 5762 2760; japan@nordsonefd.com
Korea: +82-31-736-8321; korea@nordsonefd.com
SEAsia: +65 6796 9522; sin-mal@nordsonefd.com