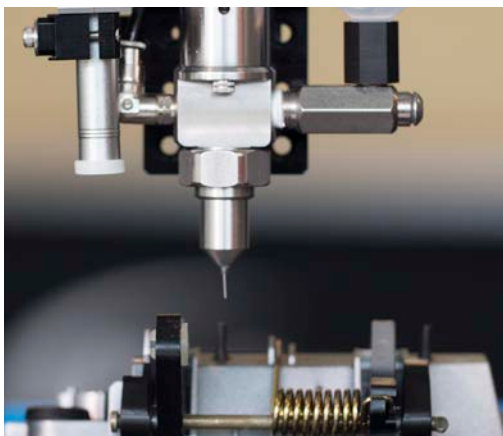


787MS-SS MicroSpray Valve

Produces spray patterns as small as 3.3 mm (0.130")



Apply a precise, uniform spray pattern more than 30% smaller than standard spray valves.



787MS-SS valve spraying oil onto automotive door handle spring.

The 787MS-SS Series is a precision spray valve that uses low volume low pressure (LVLP) technology to produce uniform spray patterns between 3.3 mm (0.130") and 19.1 mm (0.75") in diameter.

Innovative design uses a small gauge 0.3–0.1 mm (0.013–0.004") ID disposable dispensing tip in place of a standard spray nozzle. This concentrates the LVLP air used to atomize the coating into uniform spray patterns over 30% smaller than Nordson EFD's standard spray valve configuration. Between shots the valve needle seats in the hub of the dispensing tip, virtually eliminating dead fluid volume.

Features and Benefits

- High transfer efficiency
- No overspray or mist
- Medium- to low-viscosity fluids
- Consistent spray patterns
- Cycle rate exceeds 400/minute
- Low maintenance design

TIP CENTERING GUIDE

The Tip Centering Guide ensures proper alignment of the dispensing needle in critical spray applications. Order components separately.

Part #	Description
7012549	787MS-SS valve (Does not accept tip centering guide)
7029409	787MS-SS valve with centering air cap

Part #	Description
7027984	Replacement air cap
7027985	Centering Guide, 27/33 ga
7029405	Centering Guide, 23 ga
7029406	Centering Guide, 25 ga
7029407	Centering Guide, 30 ga
7029408	Centering Guide, 32 ga

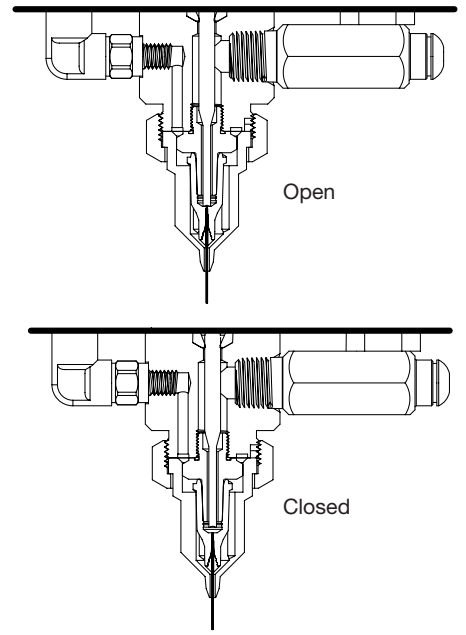
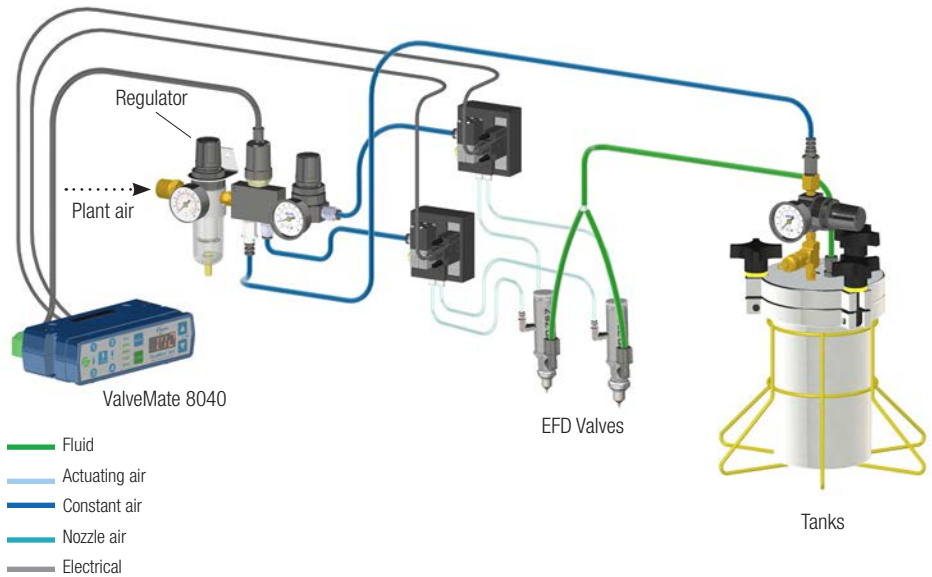
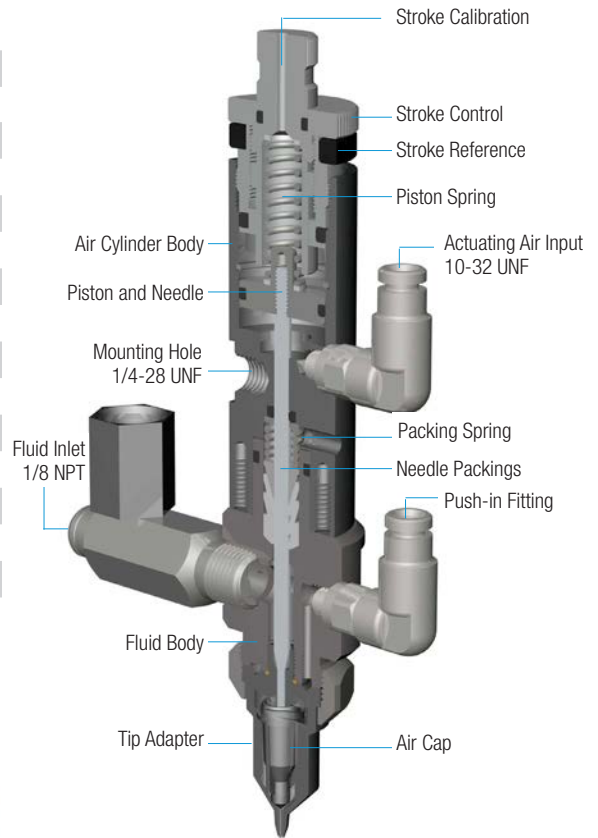


more info



Specifications

Item	Specification
Size	131.6L x 26.9DIA mm (5.18L x 1.06DIA")
Weight	336.0 g (11.8 oz)
Actuating air pressure required	4.8–6.2 bar (70–90 psi)
Maximum fluid pressure	7.0 bar (100 psi)
Fluid inlet	1/8 NPT female
Mounting	1/4-28 UNF tapped hole
Cycle rate	Exceeds 400 per minute
Air cylinder body	303 stainless steel
Fluid body	303 stainless steel
Air cap	303 stainless steel
Piston	303 stainless steel
Needle and nozzle	303 stainless steel
Maximum operating temperature	102° C (215° F)
Warranty	1 year, limited



ValveMate 8040 Controller

The ValveMate™ 8040 controls valve open time and nozzle pressure. Its compact size allows the controller to be mounted near the valve for easy setup and spray adjustment.

- Multi-valve Control — up to (2) spray valves
- Partner to Programmable Logic Controller (PLC)
- Easy control for consistent coverage
- Precise control of nozzle air pressure
- End-of-cycle air delay prevents valve from clogging
- End user convenience
- Maximum machine efficiency



Select Your Controller

See the Valve Selection Guide for the controllers compatible with this valve — www.nordsonefd.com/ValveGuide.

Fluid Reservoirs

Nordson EFD reservoirs are supplied with precision, constant-bleed regulators to ensure consistent fluid pressure to the valve. Tank reservoirs are available in 1.0, 5.0 and 19.0 liter capacities. Cartridge sizes range from 2.5 to 32 ounces (75 cc to 950 cc).

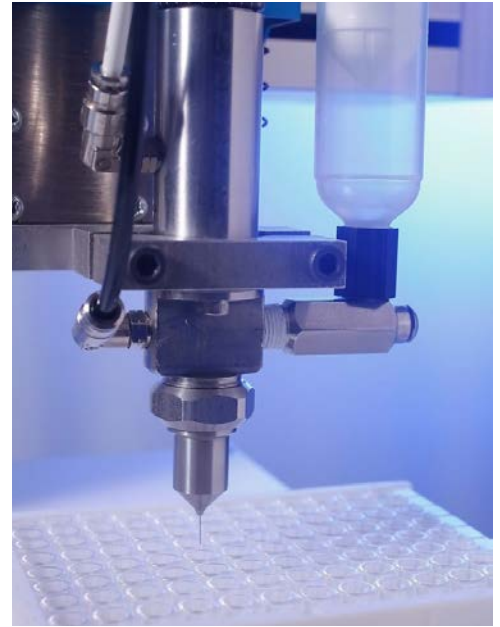
Automated Dispensing Systems

Nordson EFD automated dispensing systems deliver market-leading repeatability and accuracy in fluid placement and positioning. Specialized dispensing software simplifies setup and programming. Optimize dispensing results with features such as laser height sensing and smart vision CCD cameras.

Request a Process Evaluation

Contact Nordson EFD to configure a precision dispense system that meets your specific needs, with:

- A complimentary process evaluation by experienced fluid dispensing experts.
- Samples processed for customer evaluation and approval prior to purchase.



787MS-SS spray valve applies silicone oil into medical parts.



For Nordson EFD sales and service in over 40 countries, contact Nordson EFD or go to www.nordsonefd.com.

Global

800-556-3484; +1-401-431-7000
info@nordsonefd.com

Europe

00800 7001 7001
infoefd.europe@nordsonefd.com

Asia

China: +86 (21) 3866 9006; china@nordsonefd.com
India: +91 80 4021 3600; india@nordsonefd.com
Japan: +81 03 5762 2760; japan@nordsonefd.com
Korea: +82-31-736-8321; korea@nordsonefd.com
SEAsia: +65 6796 9522; sin-mal@nordsonefd.com

©2022 Nordson Corporation v071322