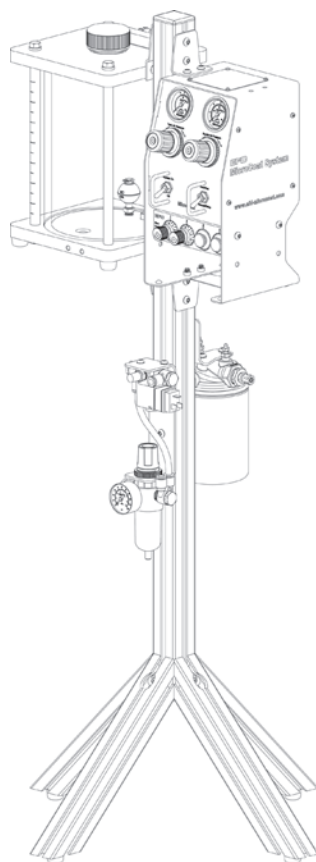


# MicroCoat Lubrication Systems

## Parts & Accessories List

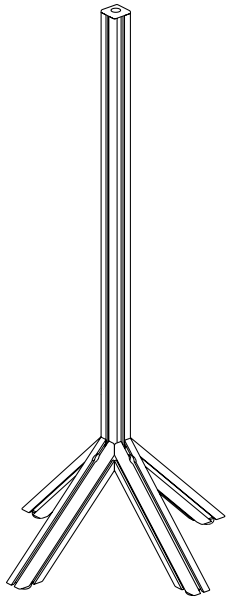


MicroCoat Lubrication System parts and accessories list in multiple languages, including English, Spanish, French, German, Italian, Japanese, Chinese, and others. The text is arranged in a curved, wave-like pattern across the bottom of the page.

Electronic pdf files of Nordson EFD manuals are also available at [www.nordsonefd.com](http://www.nordsonefd.com)



## MicroCoat® Accessories



### MicroCoat System Stands

Aluminum stands offer convenient, stable mounting of controller and tank reservoir.

Part #7008017



### Lubricant Filters

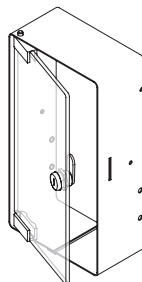
Filters small particles from the lubricant.

Assembly includes mounting the bracket and fittings.

Part #7022156

Part #7017347

Replacement filters, (4) per box

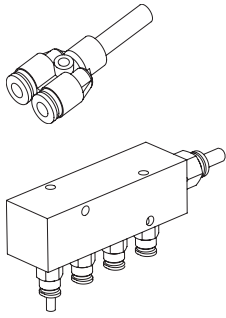


### Shield

Control panel shield with lock prevents unauthorized adjustment of flow controls. Mounts directly onto MC800 (part #7008008) controller. Clear Lexan™ cover with key lock.

Part #7023891

## MicroCoat Accessories (continued)



### Air Connector / Manifold

Connects air hoses from the controller to the valves.

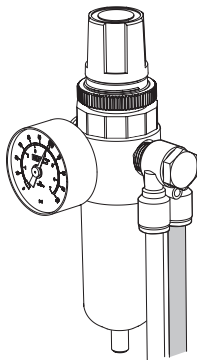
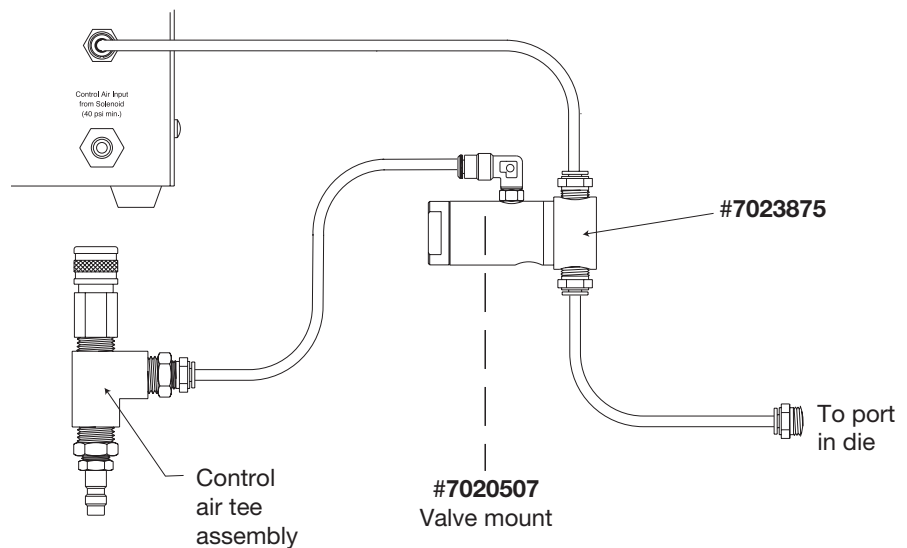
It contains a set of 2 connectors / manifolds.

Part #7022157 (shown) Air manifold, 4 port

### MC751M

For in-die lubrication. Provides ON/OFF oil flow control to in-die ports.

Part #7023872



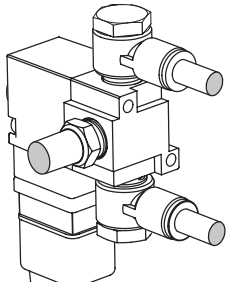
### Filter / Regulator, MC800

(MC800 = Part #7008008)

5-micron filter / regulator to ensure clean, dry air into MC800 controller.

Part #7022158

## MicroCoat Accessories (continued)



### Solenoids

3-way solenoid used to provide on / off switching and control. Tied to press run / clutch circuit. Order appropriate cordset to match solenoid voltage.

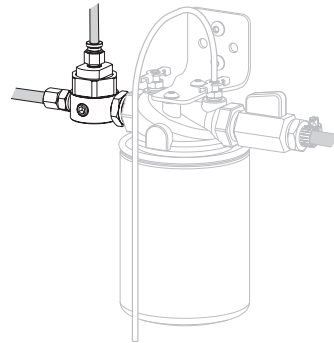
- Part #7008014 24 volt DC solenoid
- Part #7022161 220 volt AC solenoid
- Part #7016694 AC solenoid cordset
- Part #7008016 DC solenoid cordset

### Fluid Regulator

Provides stepdown fluid pressure control when used with pressurized central fluid systems to feed directly into the MicroCoat MC800 (part #7008008) controller.

#### Part #7023854

Consists of MC filter assembly with fluid regulator attached



### Tubing

Urethane tubing of various O.D.

For MC785M valves

- Part #7008007 4 mm, black
- Part #7022171 4 mm, clear
- Part #7008006 4 mm, white



MC800 controller outlet tubing to air manifolds

- Part #7022175 6 mm, black

# MicroCoat MC800 Series Components

## MicroCoat Spray Valves

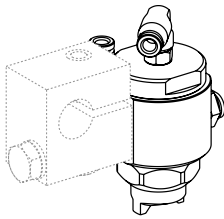
Compact, low-maintenance valve with 4 meter tubing (clear, white, black) and mounting clamp included. Valve fits between the stock feed and die, and applies lubricant in a fine, uniform film without mist or overspray. To simplify installation, refer to valve mounting hardware product sheet.

MC785M (Part #7008020)

Standard Fan Spray valve up to 3" coverage

MC785M-WF (Part #7008013)

Wide Fan Spray valve up to 6" coverage

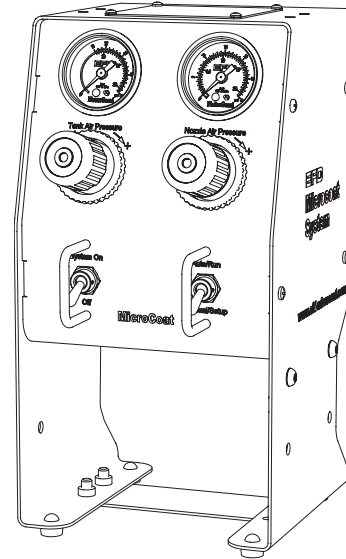


## MicroCoat Controller

The base controller provides operation of system on / off; Auto/Run or Manual mode; reservoir and nozzle air pressure controls.

MC800 (Part #7008008)

MicroCoat Controller

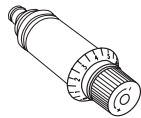
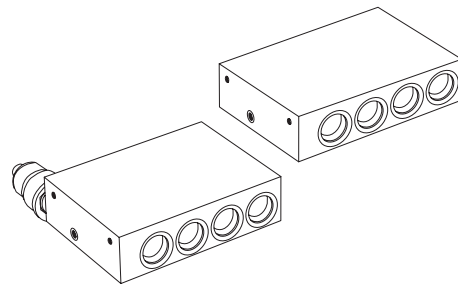


## Fluid Manifold

Divides the fluid flow to the different MC785M (part #7008020) valves. Each manifold accepts up to (4) flow controls.

Part #7008010

With pressure sensor

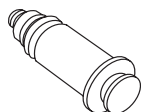


## Fluid Flow Control Valve

Provides independent flow control of the fluid lubricant to each spray valve.

Each blue ring on the indicator stem signifies one complete rotation.

Part #7008004

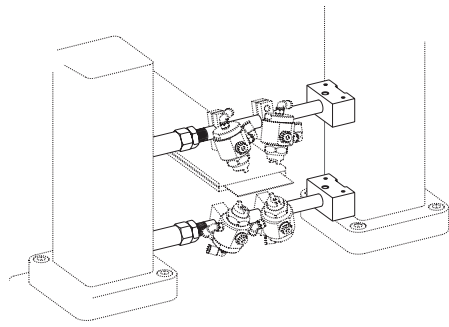


## Manifold Block-off Plug

Used to block off fluid flow in unused manifold port.

Part #7008005

# MicroCoat Valve Mounting Hardware

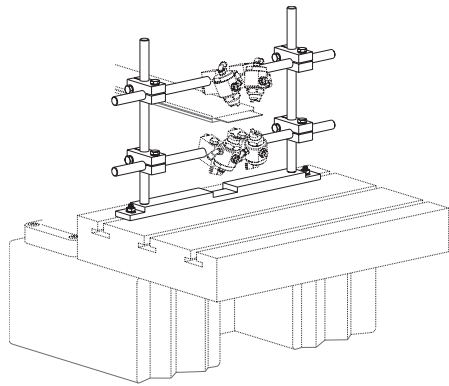


## Expansion Mount

Fits in the press window of four post stamping presses. No need to drill or fabricate attachment hardware; the fixture expands to fit securely between the two posts of the press. Includes (2) sets of 1/2" diameter stainless steel rods and mounting hardware. Contact EFD if longer lengths are required.

Part #7023865

Expansion mount kit (24")

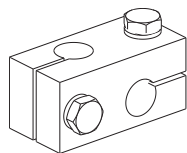


## Gantry-Style Mount

For installing on bolster plate or other flat area. Includes (4) part #7023862 cross clamps, (2) 9.4" threaded vertical rods, (2) 15.75" horizontal rods and (1) 13.75" base plate. Vertical rods can be purchased separately for use with 8 mm x 1.25 mm threaded magnetic mounts.

Part #7021103

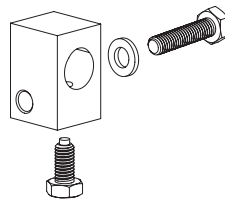
Horizontal rod



## Cross Clamp

Use to extend valves from expansion or gantry mount.

Part #7023862



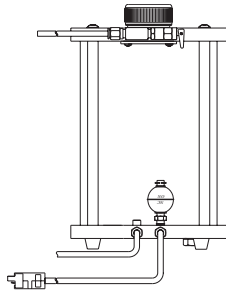
## Valve Mounting Clamp

Use to mount MC785 valves to 1/2" diameter rod.

Note: (1) included with each MC785M valve.

Part #7021742

## MicroCoat Tanks



### Tank Reservoirs

Clear acrylic reservoirs allow easy viewing of oil level and feature a low-level float switch, lubricant filter assembly. Mounting brackets included.

Part #7023843      3.8 liter or one gallon tank

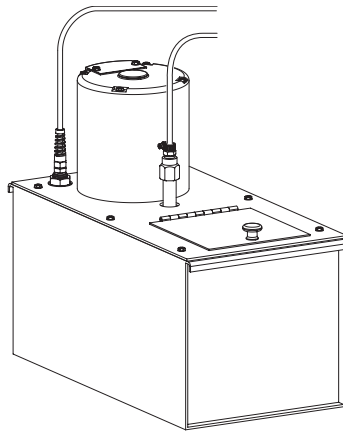
Part #7023846      7.5 liter or two gallon tank

### MicroCoat Pump / Reservoir System

The MC600 system is a gear-type pump that provides consistent fluid feed to the MC800 (part #7008008) controller. For lubricant use only. Features include a 6-gallon or 22.71 liter capacity fluid tank, low fluid level detection switch and the MC690-FR fluid regulator.

Part #7023841      120V motor

Part #7008002      220V motor





For Nordson EFD sales and service in over 40 countries, contact Nordson EFD or go to [www.nordsonefd.com](http://www.nordsonefd.com).

**Global**

800-556-3484; +1-401-431-7000  
[info@nordsonefd.com](mailto:info@nordsonefd.com)

**Europe**

00800 7001 7001  
[infoefd.europe@nordsonefd.com](mailto:infoefd.europe@nordsonefd.com)

**Asia**

China: +86 (21) 3866 9006; [china@nordsonefd.com](mailto:china@nordsonefd.com)  
India: +91 80 4021 3600; [india@nordsonefd.com](mailto:india@nordsonefd.com)  
Japan: +81 03 5762 2760; [japan@nordsonefd.com](mailto:japan@nordsonefd.com)  
Korea: +82-31-736-8321; [korea@nordsonefd.com](mailto:korea@nordsonefd.com)  
SEAsia: +65 6796 9522; [sin-mal@nordsonefd.com](mailto:sin-mal@nordsonefd.com)

The Wave Design is a trademark of Nordson Corporation.  
©2022 Nordson Corporation v022522